



Medical & Laboratory Refrigeration **COOLBOOKLAB**

100%
Made in Italy



***Your guide to innovative
medical & laboratory refrigeration***

The Real Made in Italy

Desmon S.p.A was founded in 1994 by the family De Santis as a food equipment trading company. In 1998 the company acquired a manufacturing plant in the south of Italy and started production of refrigeration equipment. The company was rapidly growing and after a few years became one of the leaders in the European market of professional refrigeration. Thousands of people from all over the world became not only customers but “fans” of Desmon. They loved products for a superior quality, benchmark performance shown even in tough ambient conditions and elegant design “Made in Italy”.

Based upon 20 years of experience in manufacture of professional refrigeration equipment in 2009 the company introduced a new range of products named Desmon Scientific and designed for Laboratory Cold Storage in healthcare, scientific research, pharmaceutical and food processing industries. The range include more than 100 models of biomedical and pharmaceutical refrigerators, laboratory freezers, refrigerated workbenches and walk-in coldrooms with temperatures from +16 down to -87°C.

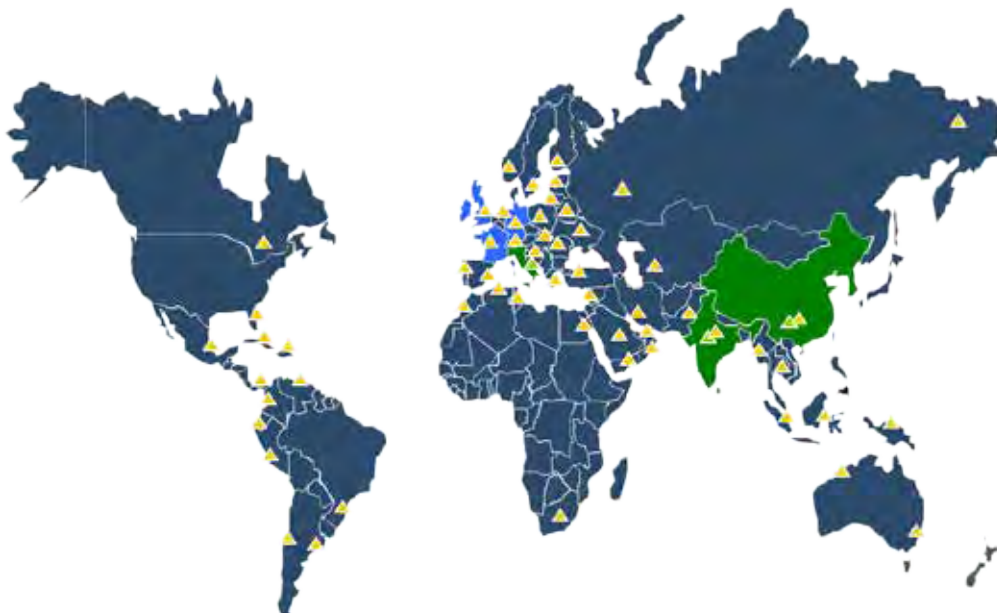
Desmon is the only manufacturer of Laboratory Cold Storage equipment in Italy with full production cycle which guarantees a control over quality of products in all phases of manufacture, from moulding, fabrication, foaming to final assembly, testing and packaging. Two modern manufacturing facilities with a total area of 25.000sq.m. are located in Italy.



Receipt of success

Today the brand Desmon Scientific is well-recognized and respected among the customers worldwide. Every year we manufacture more than 10.000 units of refrigerators in two factories in Italy and supply to all parts of the world through network of distributors, key accounts and industrial partners.

Our receipt of market success was quite simple: to be the first for a quality, reliability and performance. During the recent years we invested heavily in development of new technologies, products, certification and modernization to make our products and services “best-in-class”. More than 500 installations in 40 countries and thousands of satisfied customers prove the receipt was right!





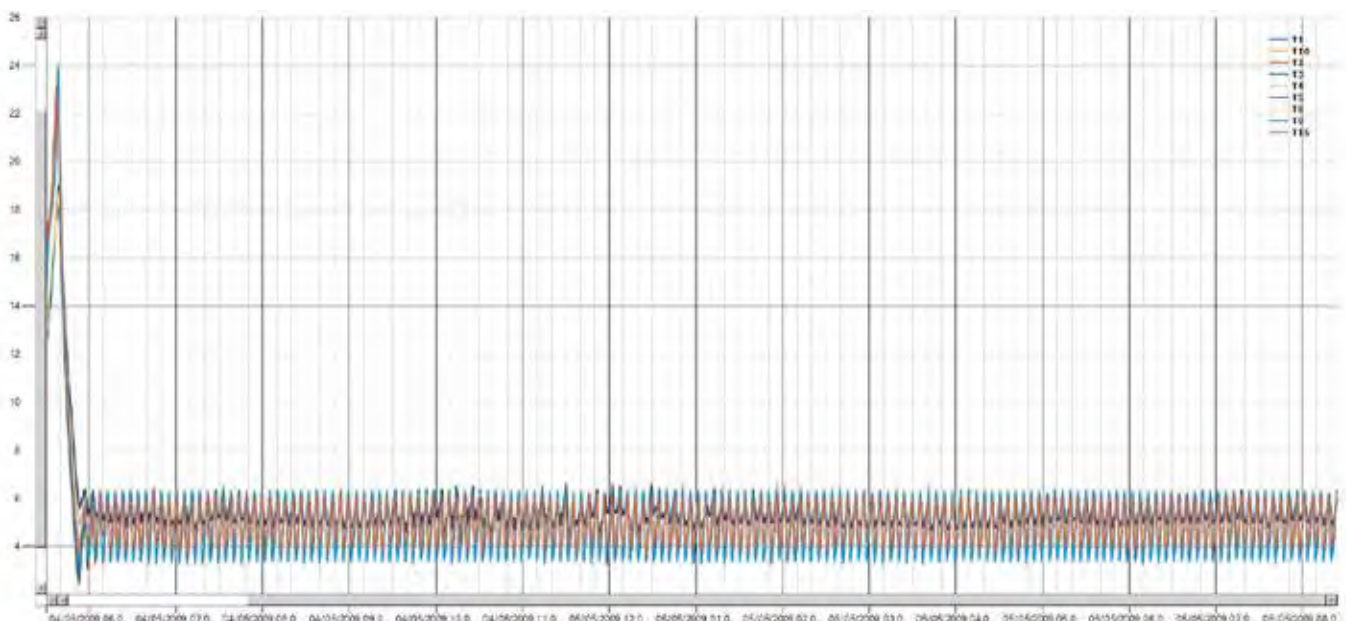
Superior quality

To guarantee a superb quality, reliability and performance of the products Desmon uses only “noble” materials and selected components from world-famous suppliers. All models have highly effective refrigeration systems, tropicalized compressors, innovative insulation, precise electronic control systems, internal LED lighting and interiors made of stainless steel for the most demanding applications.

Benchmark performance

Our products comply to the highest industry’ standards of temperature stability and could be easily validated by international standards, including the EU norm NFX15.140 with insertion of 9 temperature probes. A combination of ventilated cooling, automatic defrost, specially shaped cold air blower, precise temperature monitoring and reliable compressors guarantee rapid cooling, temperature stability, quick defrosting and reliable operation even under difficult environmental conditions.

We are so confident in excellent performance of our products that we issue IQ/OQ protocols for our customers upon request.



Environmentally friendly refrigeration



Energy Saving 41%

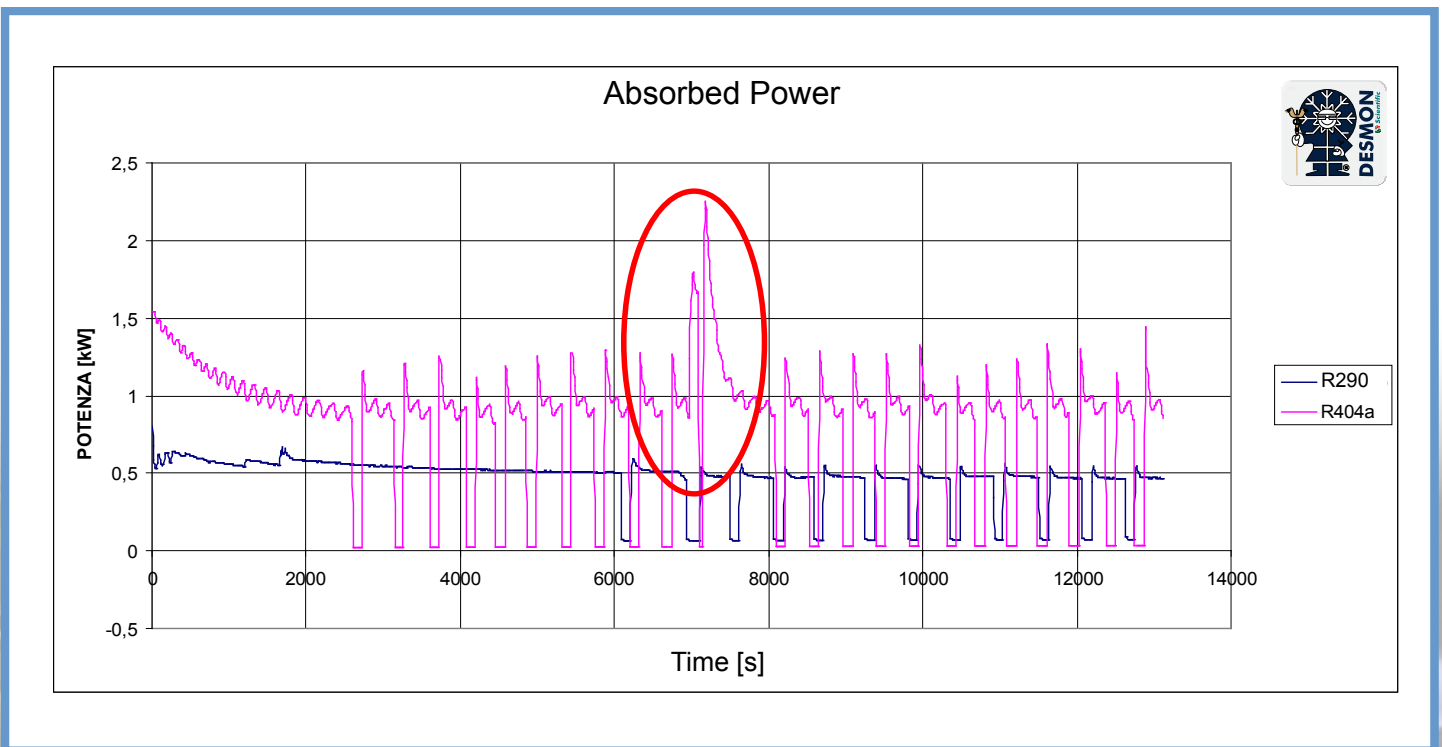
Energy consumption absorbed on R404a cooling system: 18,4kWh/24h;

Energy consumption absorbed on R290 cooling system: 10,80kWh/24h.

Respect of the environment is in DNA of Desmon and confirmed by decades of continuous commitment to research in environmentally efficient production processes. Desmon always pays attention to each stage of the life cycle of their products, from design to disposal, with an objective to minimize an environmental impact and increase benefits for customers by reducing energy costs.

Desmon is one of the first companies in Italy which adopted a foam-blowing agent, known as cyclopentane, that significantly reduces the greenhouse gas (GHG) emissions of the insulating process in the manufacturing. Using cyclopentane – a foam-blowing agent used to propel insulation into the doors and cases of refrigerators – will reduce the facility’s GHG emissions from the foam-blowing process and boost the energy efficiency of the foam. Moreover, the cyclopentane insulation has a longer life-time and extra-durability in comparison with traditional PU foams.

Desmon introduced the new models of refrigerators with environmentally friendly R290 coolant gas which is HFC-free, has no effect on ozone layer, very silent in operation and guarantees energy-saving of about 40% in respect to common R404a refrigerant.



Test conditions:

- Ambient Temperature: 25°C/77°F
- Humidity: 80%
- # of door openings: 250 (from 7am to 11pm)
- *Simulation on Year base: (2,744Kw/365days)
- Cost of Kw/h in Italy: € 0,17

By integrating the two powers absorbed in the entire range of test results, we show below the values of electricity absorbed by two units:

Energy consumption of traditional unit: 18,40 kWh/24h

Energy consumption of R290 unit : 10,80 kWh/24h

$$\frac{18,40 - 10,80}{18,40} * 100 = 41\%$$

Annual savings on energy consumption € 470



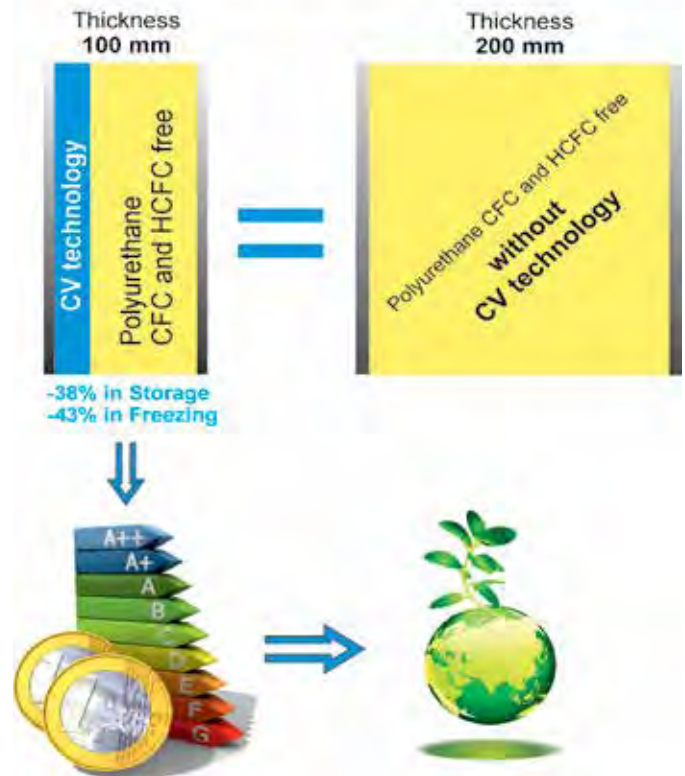
CV Technology

The new CV technology introduced for some models of low temperature freezers is an innovative system of insulation which combines Vacuum Insulation Panels with a cyclopentane insulation.

The technology guarantees an exceptional increase of effectiveness of thermal insulation for 100% and substantial reduction of energy consumption for 43%.

The company received ISO14001:2004 certificate for commitment to respect of environment on every stage of business process.

Thermal insulation



Certification

Two production facilities in Italy are ISO9001:2008 certified for a quality of management system and ISO14001:2004 for an environmental management. The certificate ISO13845 for manufacture of medical devices is expected soon.

All products comply to the strictest European norms and directives: 2006/42EEC, 89/109/EEC, 2002/96 EC (WEEE)- 97/23/EC - 2008/35/EC (WEEE)- 2002/95/EC (RoHS)-EC regulation n. 1907/2006(REACH) - D.LGS n. 155 26/05/97 and international Normative 2004/108 EEC (EMC), and 2006/95 EEC (Low Tension), Direttiva D.LGS81/08 - CEI EN 61010 - CEI EN 61326 - EN 61000-3-2 - EN 61000-3-3. Some of the models comply to the norm DIN58345 applied to pharmaceutical refrigerators.



ISO 9002 - 9001:2000 VISION 2000 - ISO 14001
CE - ETL - GOST (PCT) - UkrSEPRO - EAC



OVERVIEW OF PRODUCT RANGE

Desmon Spa proudly offers a wide assortment of biomedical, laboratory and pharmacy refrigerators which guarantee the most secure environment for your valuable samples, reagents, pharmaceuticals, vaccines, etc.

We clearly understand that every laboratory is different and each customer is unique. That is why our variety of models is one of the biggest on market. Every customer can choose an ideal model. Products are divided in the following categories:

LABORATORY

- Upright and under counter refrigerators and freezers of LAB Pro serie, -40, -30, -20 and +2+10C
- Upright refrigerators and freezers of LAB Maxi serie, -40, -30, -20 and +2+10C and dual-temperature models
- Upright refrigerators and freezers of LAB Sani serie, -20 and +2+10C, solid doors
- Upright refrigerators and freezers of LAB Mini serie, -20 and +2+10C, solid doors
- Refrigerated workbenches -10-20 and +2+10

PHARMA line

- Refrigerators and freezers made especially for storage of pharmaceutical products in clinics, hospitals and drug stores. In conformity with DIN 58345.

BLOOD BANK

- Blood bank refrigerators +4

WALK-IN COLDROOMS (please, see a special catalogue)

- More than 200 model for bulk storage of pharmaceutical products, vaccines, biological wastes etc...

MODELS UPON REQUEST (please, see a special catalogue)

- Knocking down refrigerators and freezers to be assembled in place
- Pass-through refrigerators and freezers
- Refrigerators and freezers with remote cooling unit
- Refrigerators and freezers with additional compressor for back-up

ULTRA LOW TEMPERATURE FREEZERS -87°C (please, see a special catalogue)



- **Controller.** Microprocessor control panel with touch pad and LCD digital display showing inside temperature and equipped with PT100 probe. Adjustable and visual alarms include: high and low temperature, open door, condenser efficiency, damaged probes, power failure (optional), low battery (optional), RS485 serial port and LAN port (optionals), datalogger with USB port.
- **Refrigeration system.** Completely sealed, silent and very efficient hermetic compressor and ventilated air condenser. Internal compartment static evaporator (ventilated evaporator for DS-SB..., DS-FS... and DS-AF... series), CFC-free refrigerant. Evaporator fan stops during door opening.
- **Defrosting.** Manual defrosting cycle for DS-CV... and DS-CL60B and automatic for DS-SB..., DS-FS..., DS-PN..., DS-AF...
- **Temperature range.** -40°C for DS-CL60B, -30°C for DS-CV..., -25°C for DS-SB10B, +4° for DS-SB10(V) and DS-FS..., +4/-25°C for DS-FC39(V)/2.
- **Rounded internal corners.** Easy to clean and maintain.
- **LED lighting.** LED lamps with automatic or manual switch
- **Stainless steel interior.** All upright cabinets have an interior of stainless steel which is very durable and easy to clean material.
- **External structure.** External structure in hot-dip galvanised steel, anti-corrosion treated and white PVC film coated.
- **Door.** Self-closing solid or glass door with folding magnetic gasket on four sides for perfect closing. Right or left hand opening on request. Lock with a key.
- **Drawers and shelves.** For DS-SB10B, DS-CV..., DS-CL60B sliding drawers are standard, for other models - optional. Drawers and shelves are made of s/steel AISI304. Standard shelves are solid and have borders.
- **Wheels and feet.** Four one-way wheels and two stabilizing adjustable feet
- **Optional.** Sliding drawers in AISI304 scotch-brite stainless steel and transparent frontal side, internal dividers for drawers, smooth shelves with borders, weekly temperature chart recorder, back-up battery and SMS alerts.



Rounded internal corners



Removable (magnetic) door gaskets



Adjustable s/steel shelf (standard for refrigerators)



S/steel Drawers (standard for freezers)



Standard wheel kit



Optional dividers for drawers



Lan and serial ports available on request, Volt-free contact as standard



Microprocessor Control Panel with touch pad and LCD digital display. Set point, switch off and service parameters protected by password.

Switch off protected by password	yes
Internal lighting management	yes
Temperature Datalogger with USB port	yes
Power failure alarm	yes (with back-up battery)
Adjustable high/low temperature alarm	yes
Open door alarm	yes
Probe failure alarm	yes
SMS alerts	optional
Remote contact (dry, volt-free) for alarm	yes
Back-up battery 12V for control panel	optional
RS 485 - 232 interface	optional
LAN port	optional
Memory for last alarms	yes

TECHNICAL SPECIFICATION SOLID DOOR CABINETS FROM -40°C TO -30°C



DS-CL60B

DS-CV6

Freezers

Model	DS-CL60B	DS-CV6
Dimensions exterior WxDxH (mm)	780x840x1930	640x620x2000
Net capacity (L)	600	320
Insulation (mm)	100	80
Temperature range (°C)	-40°C	-30°C
Max. ambient temperature (°C)	43°	43°
Refrigeration type	Static	Static
Power supply (V)	220V/240V	220V/240V
Frequency (Hz)	50Hz	50Hz
Power consumption (W)	295	220
Weight (KG)	173	115
Shipping weight (KG)	186	128
Shipping dimensions WxDxH (mm)	910x850x2100	680x680x2150
No. of compressors.	1	1
Doors	1	1
Defrost type	Manual	Manual
Wheels	Standard	Standard
Chart recorder	optional	optional
Drawers (pcs)	6	6
Lock	yes	yes
Interior material	s/steel AISI304	s/steel AISI304
Exterior material	hot-dip galvanised steel, anti-corrosion treated and white PVC film coated.	hot-dip galvanised steel, anti-corrosion treated and white PVC film coated.
Refrigerant	R507	R507



DS-CV4



DS-CV3



DS-SB10B

DS-CV4	DS-CV3	DS-SB10B
640x620x1600	640x620x1400	600x600x860
220	160	100
80	80	60
-30°C	-30°C	-10° -25°C
43°	43°	43°
Static	Static	Ventilated
220V/240V	220V/240V	220V/240V
50Hz	50Hz	50Hz
220	220	220
94	85	81
105	96	92
680x680x1790	680x680x1590	680x680x1040
1	1	1
1	1	1
Manual	Manual	Automatic
Standard	Standard	Standard
optional	optional	optional
4	3	2
yes	yes	yes
s/steel AISI304	s/steel AISI304	s/steel AISI304
hot-dip galvanised steel, anti-corrosion treated and white PVC film coated.	hot-dip galvanised steel, anti-corrosion treated and white PVC film coated.	hot-dip galvanised steel, anti-corrosion treated and white PVC film coated.
R507	R507	R507

TECHNICAL SPECIFICATION UPRIGHT CABINETS FROM +2°C TO +10°C

All models
+4°C



DS-FS30



DS-FS30V



DS-FS20

Refrigerators

Model	DS-FS30	DS-FS30V	DS-FS20
Dimensions exterior WxDxH (mm)	600x600x1960	600x600x1960	600x600x1560
Net capacity (L)	300	300	200
Insulation (mm)	60	60	60
Temperature range (°C)	+2° +10°	+2° +10°	+2° +10°
Max. ambient temperature (°C)	43°	43°	43°
Refrigeration type	Ventilated	Ventilated	Ventilated
Power supply (V)	220V/240V	220V/240V	220V/240V
Frequency (Hz)	50Hz	50Hz	50Hz
Power consumption (W)	295	295	245
Weight (KG)	104	113	85
Shipping weight (KG)	117	126	96
Shipping dimensions WxDxH (mm)	680x680x2150	680x680x2150	680x680x1790
No. of compressors.	1	1	1
Doors	1	1 glass	1
Defrost type	Automatic	Automatic	Automatic
Wheels	Standard	Standard	Standard
Chart recorder	optional	optional	optional
Shelves (pcs)	5	5	3
Lighting	yes	yes	yes
Lock	yes	yes	yes
Interior material	s/steel AISI304	s/steel AISI304	s/steel AISI304
Exterior material	hot-dip galvanised steel, anti-corrosion treated and white PVC film coated.	hot-dip galvanised steel, anti-corrosion treated and white PVC film coated.	hot-dip galvanised steel, anti-corrosion treated and white PVC film coated.
Refrigerant	R404a	R404a	R404a

All models
+4°C



DS-FS20V



DS-SB10



DS-SB10V

DS-FS20V	DS-SB10	DS-SB10V
600x600x1535	600x600x860	600x600x860
200	100	100
60	60	60
+2° +10°	+2° +10°	+2° +10°
43°	43°	43°
Ventilated	Ventilated	Ventilated
220V/240V	220V/240V	220V/240V
50Hz	50Hz	50Hz
245	245	245
91	73	76
102	84	87
680x680x1790	680x680x1040	680x680x1040
1	1	1
1 glass	1	1 glass
Automatic	Automatic	Automatic
Standard	Standard	Standard
optional	optional	optional
3	2	2
yes	yes	yes
yes	yes	yes
s/steel AISI304	s/steel AISI304	s/steel AISI304
hot-dip galvanised steel, anti-corrosion treated and white PVC film coated.	hot-dip galvanised steel, anti-corrosion treated and white PVC film coated.	hot-dip galvanised steel, anti-corrosion treated and white PVC film coated.
R404a	R404a	R404a

TECHNICAL SPECIFICATION DUAL-TEMPERATURE CABINETS +2°+10°C / -10°-25°C

All models
+4/-25°C



DS-FC39/2



DS-FC39V/2

Dual-Temperature refrigerator/freezer

Model	DS-FC39/2	DS-FC39V/2
Dimensions exterior WxDxH (mm)	600x600x1960	600x600x1960
Net capacity (Refrigerator / Freezer) (L)	180 / 100	180 / 100
Insulation (mm)	60	60
Temperature range (°C)	+2° +10° / -10° -25°C	+2° +10° / -10° -25°C
Max. ambient temperature (°C)	43°	43°
Refrigeration type (Refrigerator / Freezer)	Ventilated / Static	Ventilated / Static
Power supply (V)	220V/240V	220V/240V
Frequency (Hz)	50Hz	50Hz
Power consumption (W)	300	300
Weight (KG)	121	125
Shipping weight (KG)	134	138
Shipping dimensions WxDxH (mm)	680x680x2150	680x680x2150
No. of compressors.	2	2
Doors	2	1 glass, 1 solid
Defrost type (Refrigerator / Freezer)	Automatic / Manual	Automatic / Manual
Wheels	Standard	Standard
Chart recorder	optional	optional
Shelves / Drawers (Refrigerator / Freezer) (pcs)	3 / 2	3 / 2
Lighting	yes	yes
Lock	yes	yes
Interior material	s/steel AISI304	s/steel AISI304
Exterior material	hot-dip galvanised steel, anti-corrosion treated and white PVC film coated.	hot-dip galvanised steel, anti-corrosion treated and white PVC film coated.
Refrigerant	R404a	R404a

STANDARD ELECTRONIC CONTROLLER FOR LAB SERIES (MAXI - SANI - MINI)



FEATURES OF STANDARD ELECTRONIC CONTROLLER

End user interface	Display LED
Resolution (°C)	0,1
Maximum Number of Probes	3
Led Light, 75% power saving	yes
Acoustic alarm	yes
RS 485 interface	optional
Hot gas advanced defrost	yes

ALARMS AND FAILURES (ACOUSTIC AND VISUAL)

Alarm "power failure" (after power restored)	yes
Alarm "high / low temperature"	yes
Alarm "open door"	yes
Alarm "sensor fault"	yes
Alarm "Clogged condenser"	yes
Alarm recording (data logger of events - alarms)	yes

SAFETY

Volt-free contact for remote monitoring	yes
Freezing and overheating safety device	yes

OPTIONALS

Rechargeable back-up batteries	optional
Temperature datalogger with USB port	optional



DST Touch

(available on request)

FEATURES OF DST TOUCH ELECTRONIC CONTROLLER

End user interface	Display TFT Touch 4,3"
Resolution (°C)	0,1
Probes (NTC or PT100)	yes
Led Light, 75% power saving	yes
Acoustic alarm	yes
Night & Day function	yes
Hot gas defrost, without power consumption	yes

ALARMS AND FAILURES (ACOUSTIC AND VISUAL)

Alarm "power failure"	yes
Alarm "high / low temperature"	yes
Alarm "open door"	yes
Alarm "sensor fault"	yes
Alarm "Clogged condenser"	yes
High condensing temp. - Low evaporator temp.	yes
Alarms and Temperatures datalogger	yes

SAFETY

Volt-free contact for remote monitoring	yes
Rechargeable back-up batteries (up to 12 h)	yes

CONNECTIVITY

USB port with front access	yes
ETHERNET port	yes
RS 485 interface	yes
SIM port with front access	yes

DIAGNOSTIC

Mains tension and relays monitoring	yes
Relays outscan	yes

OPTIONALS

Electric digital key lock	optional
Gsm module	optional
WiFi module	optional
Freezing and overheating safety device	optional





- **Standard controller.** Please see page 13 for description
- **DST Touch controller (Optional).** Please see page 14 for description
- **“Monoblock” cooling unit.** The refrigeration components are integrated in the ceiling area and there is much of additional storage space inside a cabinet.
- **Automatic defrost and Auto-evaporation** of condensed water. Thanks to location of condensed’ water basin close to “hot” parts of cooling unit the water is evaporated automatically and there is no need in additional heating elements.
- **Cyclopentane insulation** 60 mm HCFC and CFC free, next-to-zero CO₂ emissions, extra durability.
- **Benchmark temperature uniformity** of +0,6/-1,7°C from set point (for DS-GM7 in accordance with the norm NFX 15.140 and insertion of 9 probes).
- **LED lighting.** Glass doors of upright cabinets are equipped with LED lighting which is the best solution available in terms of power savings, life-time of parts and total appearance.
- **Hot gas defrost.** The cycle of defrosting is very short. As a result the temperature remains almost constant. No need of extra heating elements which means less energy consumption.
- **Rounded internal corners.** Easy to clean and maintain.
- **Forced-air cooling.** Powerful cooling unit and enforced ventilation ensure maximum temperature stability even with frequent door openings
- **Stainless steel interior.** Interior of stainless steel which is very durable and easy to clean material.
- **Removable door gaskets.** The cleaner are gaskets the longer they last!
- **Door lock with keys**
- **Adjustable stainless steel feet.** It is possible to change a height of cabinets and undercounters by regulating a height of feet
- **Castors** available on request
- **Tropicalized compressors** designed for high ambient temperatures up to +43°C.
- **R404a coolant gas** as standard or R290 upon request.



LED lamps consume from 50 to 75% less energy than traditional lamps.



Rounded internal corners

Removable (magnetic) door gaskets



Adjustable powder coated steel shelf (standard for all models)

Adjustable legs (s/steel for LAB Maxi, plastic for LAB Sani and Mini)



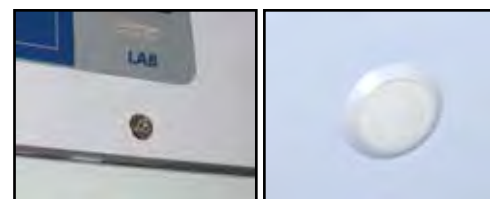
Optional wheel kit (2 with brakes)

“Monoblock” cooling units



Volt-free contact

Stainless Steel drawers (optional)



Door lock with keys

Probe hole optional



Standard
Electronic controller with alarms and registration of last events.



Optional for standard Controller
Recorder of temperature and events with USB port



TECHNICAL SPECIFICATION SOLID DOOR CABINETS -40°C



*-40°
Ventilated*



Upright cabinets with solid doors

Model	DS-GB7B/I-40
Dimensions exterior WxDxH (mm)	720x910x2000
Net capacity (L)	550
Dimensions interior WxDxH (mm)	569x641x1200
Insulation (mm)	60 with CypenVac
Temperature range (°C)	-35°-43°
Temperature setting accuracy (°C)	0,1°C
Max. ambient temperature (°C)	32°
Type of cooling unit	ventilated
Power supply (V)	220V/240V
Frequency (Hz)	50Hz
Power consumption (W)	1100
Weight (KG)	195
Shipping weight (KG)	215
Shipping dimensions WxDxH (mm)	790x970x2200
No. of compressors.	1
Doors	1
Automatic defrost and evaporation	yes
Castors	one directional
Chart recorder	optional
Drawers (pcs)	6 included
Lighting	yes
Lock	yes
Interior material	s/steel AISI304
Exterior material	white powder coated steel
Refrigerant	R404a



*-30°
Ventilated*



Upright cabinets with solid doors

Model	DS-GB7B/I-30	DS-GB14B/I-30
Dimensions exterior WxDxH (mm)	720x800x2120	1440x800x2120
Net capacity (L)	700	1400
Dimensions interior WxDxH (mm)	600x665x1520	1320x665x1520
Insulation (mm)	60	60
Temperature range (°C)	-10°-30°	-10°-30°
Temperature setting accuracy (°C)	0,1°C	0,1°C
Max. ambient temperature (°C)	43°	43°
Type of cooling unit	ventilated	ventilated
Power supply (V)	220V/240V	220V/240V
Frequency (Hz)	50Hz	50Hz
Power consumption (W)	587	792
Weight (KG)	118	190
Shipping weight (KG)	135	209
Shipping dimensions WxDxH (mm)	790x860x2280	1500x860x2280
No. of compressors.	1	1
Doors	1	2
Automatic defrost and evaporation	yes	yes
Castors	optional	optional
Chart recorder	optional	optional
Shelves (pcs)	3	6
Lighting	yes	yes
Lock	yes	yes
Interior material	s/steel AISI304	s/steel AISI304
Exterior material	white powder coated steel	white powder coated steel
Refrigerant	R404a	R404a

TECHNICAL SPECIFICATION SOLID DOOR CABINETS

Standard



Internal LED lighting: energy efficient, long life of components, "Cold" temperature of light and excellent appearance.



DS-GM7B/I, DS-GB7B/I



DS-GM14B/I, DS-GB14B/I

Upright cabinets with solid doors

Model	DS-GM7 DS-GM7B/I	DS-GB7 DS-GB7B/I	DS-GM14 DS-GM14B/I
Dimensions exterior WxDxH (mm)	720x800x2120	720x800x2120	1440x800x2120
Net capacity (L)	700	700	1400
Dimensions interior WxDxH (mm)	600x665x1520	600x665x1520	1320x665x1520
Insulation (mm)	60	60	60
Temperature range (°C)	+2°+8°, +2°+15°	-10°-25°	+2°+8°, +2°+15°
Temperature setting accuracy (°C)	0,1°C	0,1°C	0,1°C
Max. ambient temperature (°C)	43°	43°	43°
Type of cooling unit	Monoblock	Monoblock	Monoblock
Power supply (V)	220V/240V	220V/240V	220V/240V
Frequency (Hz)	50Hz	50Hz	50Hz
Power consumption (W)	335	510	440
Weight (KG)	115	115	182
Shipping weight (KG)	130	130	202
Shipping dimensions WxDxH (mm)	790x860x2280	790x860x2280	1500x860x2280
No. of compressors.	1	1	1
Doors	1	1	2
Automatic defrost and evaporation	yes	yes	yes
Castors	optional	optional	optional
Chart recorder	optional	optional	optional
Shelves (pcs)	3	3	6
Lighting	yes	yes	yes
Lock	yes	yes	yes
Interior material	s/steel AISI304	s/steel AISI304	s/steel AISI304
Exterior material	s/steel AISI304 (for model ...B/I - white powder coated steel)	s/steel AISI304 (for model ...B/I - white powder coated steel)	s/steel AISI304 (for model "...B/I" - white powder coated steel)
Refrigerant	R404a (R290 optional)	R404a (R290 optional)	R404a (R290 optional)



DS-GM21, DS-GB21



DS-GMB7, DS-GMB7



DS-GMB14, DS-GMB14

DS-GB14 DS-GB14B/I	DS-GM21 DS-GM21B/I	DS-GB21 DS-GB21B/I	DS-GMB7, DS-GMB7B/I	DS-GMB14 DS-GMB14B/I
1440x800x2120	2160x800x2120	2160x800x2120	720x800x2120	1440x800x2120
1400	2100	2100	350+350	700+700
1320x665x1520	2040x665x1520	2040x665x1520	600x665x1520	1320x665x1520
60	60	60	60	60
-10°-25°	+2°+8°, +2°+15°	-10°-25°	+2°+8°, +2°+15° -10°-25°	+2°+8°, +2°+15° -10°-25°
0,1°C	0,1°C	0,1°C	0,1°C	0,1°C
43°	43°	43°	43°	43°
Monoblock	Monoblock	Monoblock	Traditional	Monoblock
220V/240V	220V/240V	220V/240V	220V/240V	220V/240V
50Hz	50Hz	50Hz	50Hz	50Hz
780	600	1000	270 - 363	335 - 510
185	270	270	145	205
205	295	295	160	225
1500x860x2280	2200x840x2280	2200x840x2280	790x860x2280	1500x860x2280
1	1	1	2	2
2	3	3	2 half	2
yes	yes	yes	yes	yes
optional	optional	optional	optional	optional
optional	optional	optional	optional	optional
6	9	9	4	6
yes	yes	yes	yes	yes
yes	yes	yes	yes	yes
s/steel AISI304	s/steel AISI304	s/steel AISI304	s/steel AISI304	s/steel AISI304
s/steel AISI304 (for model ...B/I - white powder coated steel)	s/steel AISI304 (for model ...B/I - white powder coated steel)	s/steel AISI304 (for model ...B/I - white powder coated steel)	s/steel AISI304 (for model ...B/I - white powder coated steel)	s/steel AISI304 (for model ...B/I - white powder coated steel)
R404a (R290 optional)	R404a (R290 optional)	R404a (R290 optional)	R404a (R290 optional)	R404a (R290 optional)

TECHNICAL SPECIFICATION GLASS DOOR CABINETS

Standard



Internal LED lighting: energy efficient, long life of components, "Cold" temperature of light and excellent appearance.



DS-GM7GB/I, DS-GB7GB/I



DS-GM14GB/I, DS-GB14GB/I

Upright cabinets with glass doors

Model	DS-GM7G DS-GM7GB/I	DS-GB7G DS-GB7GB/I	DS-GM14G DS-GM14GB/I
Dimensions exterior WxDxH (mm)	720x800x2120	720x800x2120	1440x800x2120
Net capacity (L)	700	700	1400
Dimensions interior WxDxH (mm)	600x665x1520	600x665x1520	1320x665x1520
Insulation (mm)	60	60	60
Temperature range (°C)	+2°+8°, +2°+15°	-10°-25°	+2°+8°, +2°+15°
Temperature setting accuracy (°C)	0,1°C	0,1°C	0,1°C
Max. ambient temperature (°C)	43°	43°	43°
Type of cooling unit	Monoblock	Monoblock	Monoblock
Power supply (V)	220V/240V	220V/240V	220V/240V
Frequency (Hz)	50Hz	50Hz	50Hz
Power consumption (W)	440	738	600
Weight (KG)	125	145	215
Shipping weight (KG)	140	160	235
Shipping dimensions WxDxH (mm)	790x860x2280	790x860x2280	1500x860x2280
No. of compressors.	1	1	1
Doors	1	1	2
Automatic defrost and evaporation	yes	yes	yes
Castors	optional	optional	optional
Chart recorder	optional	optional	optional
Shelves (pcs)	3	3	6
Lighting	yes	yes	yes
Lock	yes	yes	yes
Interior material	s/steel AISI304	s/steel AISI304	s/steel AISI304
Exterior material	s/steel AISI304 (for model ...B/I - white powder coated steel)	s/steel AISI304 (for model ...B/I - white powder coated steel)	s/steel AISI304 (for model ...B/I - white powder coated steel)
Refrigerant	R404a (R290 optional)	R404a (R290 optional)	R404a (R290 optional)



DS-GM21GB/I



DS-GMB7GB/I, DS-GMB7GB/I



DS-GMB14GB/I, DS-GMB14GB/I

DS-GB14G DS-GB14GB/I	DS-GM21G, DS-GM21GB/I	DS-GMB7G DS-GMB7GB/I	DS-GMB14G DS-GMB14GB/I
1440x800x2120	2160x800x2120	720x800x2120	1440x800x2120
1400	2100	350+350	700+700
1320x665x1520	2040x665x1520	600x665x1520	1320x665x1520
60	60	60	60
-10°-25°	+2°+8°, +2°+15°	+2°+8°, +2°+15°	+2°+8°, +2°+15°
0,1°C	0,1°C	0,1°C	0,1°C
43°	43°	43°	43°
Monoblock	Monoblock	Traditional	Monoblock
220V/240V	220V/240V	220V/240V	220V/240V
50Hz	50Hz	50Hz	50Hz
1000	800	290 - 380	440 - 738
240	315	165	240
260	340	180	260
1500x860x2280	2200x840x2280	790x860x2280	1500x860x2280
1	1	2	2
2	3	2 half	2
yes	yes	yes	yes
optional	optional	optional	optional
optional	optional	optional	optional
6	9	4	6
yes	yes	yes	yes
yes	yes	yes	yes
s/steel AISI304	s/steel AISI304	s/steel AISI304	s/steel AISI304
s/steel AISI304 (for model ...B/I - white powder coated steel)	s/steel AISI304 (for model ...B/I - white powder coated steel)	s/steel AISI304 (for model ...B/I - white powder coated steel)	s/steel AISI304 (for model ...B/I - white powder coated steel)
R404a (R290 optional)	R404a (R290 optional)	R404a	R404a

TECHNICAL SPECIFICATION UNDERCOUNTER REFRIGERATOR



DS-TGM2, DS-TGB2



Versions with glass doors
available on request

**FRIDGE/FREEZER
AND WORK TABLE
ALL IN ONE!**



DS-TGM4, DS-TGB4

Model	Undercounter refrigerator			Undercounter freezer
	DS-TGM2	DS-TGM3	DS-TGM4	DS-TGB2
Dimensions exterior WxDxH (mm)	1460x700x850	1945x700x850	2430x700x850	1460x700x850
Net capacity (L)	280	441	602	280
Insulation (mm)	60	60	60	60
Temperature range (°C)	+2°+8°, +2°+15°	+2°+8°, +2°+15°	+2°+8°, +2°+15°	-10°-25°C
Temperature setting accuracy (°C)	0,1°C	0,1°C	0,1°C	0,1°C
Max. ambient temperature (°C)	+43°C	+43°C	+43°C	+43°C
Type of cooling unit	Slide-out	Slide-out	Slide-out	Slide-out
Power supply (V)	220-240	220-240	220-240	220-240
Frequency (Hz)	50	50	50	50
Power consumption (KW)	270	330	448	363
Weight (KG)	130	160	190	135
Shipping weight (KG)	140	175	205	145
Shipping dimensions WxDxH (mm)	1500x740x1000	1980x740x1000	2470x740x1000	1500x740x1000
No. of compressors.	1	1	1	1
Doors	2 solid	3 solid	4 solid	2 solid
Automatic defrost and evaporation	yes	yes	yes	yes
Castors	optional	optional	optional	optional
Chart recorder	optional	optional	optional	optional
Shelves (pcs)	2	3	4	2
Lighting	no	no	no	no
Lock	yes	yes	yes	yes
Interior material	s/steel AISI304	s/steel AISI304	s/steel AISI304	s/steel AISI304
Exterior material	s/steel AISI304	s/steel AISI304	s/steel AISI304	s/steel AISI304
Refrigerant	R404a	R404a	R404a	R404a

GENERAL PURPOSE LABORATORY STORAGE – LARGE FORMAT – ANTIBACTERIAL INTERIOR

- **Standard controller.** Please see page 13 for description
- **DST Touch controller (Optional).** Please see page 14 for description
- **Traditional cooling unit** with ventilated evaporator inside chamber
- **Automatic defrost** for better temperature uniformity.
- **Cyclopentane insulation** 50 mm HCFC and CFC free, next-to-zero CO₂ emissions, extra durability.
- **Optimal temperature uniformity**
- **Antibacterial steel interior.** Eliminates up to 99% of bacteria present (Staphylococcus Aureus, klebsiella pneumoniae, Escherichia coli)
- **LED lighting for Glass doors.** The best solution available in terms of power savings, life-time of parts and total appearance.
- **Rounded internal corners.** Easy to clean and maintain.
- **Forced-air cooling.** Powerful cooling unit and enforced ventilation ensure maximum temperature stability even with frequent door openings
- **Removable door gaskets.** The cleaner are gaskets the longer they last!
- **Door lock with keys**
- **Adjustable feet.** It is possible to change a height of cabinets and undercounters by regulating a height of feet
- **Castors** available on request
- **Standard compressors** for high ambient temperatures up to +32°C.
- **R404a coolant gas** as standard.



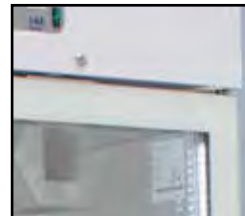
Adjustable powder coated steel shelf (standard for all models)



Antibacterial interior easy to clean



Volt-free contact



LED lamps consume from 50 to 75% less energy than traditional lamps.



Stainless Steel drawers (optional)



Optional wheel kit (2 with brakes)



Removable (magnetic) door gaskets



Door lock with keys



Probe hole optional



Standard
Electronic controller with alarms and registration of last events.



Optional for standard Controller
Recorder of temperature and events with USB port





GENERAL PURPOSE LABORATORY STORAGE – LARGE FORMAT – ANTIBACTERIAL INTERIOR



Antibacterial
steel interior!



DS-BM7PR, DS-BB7PR



DS-BM14PR, DS-BB14PR

Upright cabinets with solid door

Model	DS-BM7PR	DS-BB7PR	DS-BM14PR	DS-BB14PR
Dimensions exterior WxDxH (mm)	700x800x2080	700x800x2080	1400x800x2080	1400x800x2080
Net capacity (L)	700	700	1400	1400
Dimensions interior WxDxH (mm)	600x665x1500	600x665x1500	1300x665x1500	1300x665x1500
Insulation (mm)	50	50	50	50
Temperature range (°C)	+2°+8° +2°+15° upon request	-10°-25°	+2°+8° +2°+15° upon request	-10°-25°
Temperature setting accuracy (°C)	0,1°C	0,1°C	0,1°C	0,1°C
Max. ambient temperature (°C)	32°	32°	32°	32°
Type of cooling unit	Traditional	Traditional	Traditional	Traditional
Power supply (V)	220V/240V	220V/240V	220V/240V	220V/240V
Frequency (Hz)	50Hz	50Hz	50Hz	50Hz
Power consumption (KW)	335	510	440	780
Weight (KG)	105	115	170	180
Shipping weight (KG)	120	130	190	200
Shipping dimensions WxDxH (mm)	790x860x2260	790x860x2260	1500x860x2260	1500x860x2260
No. of compressors.	1	1	1	1
Doors	1	1	2	2
Automatic defrost	yes	yes	yes	yes
Castors	optional	optional	optional	optional
Chart recorder	optional	optional	optional	optional
Shelves (pcs)	3	3	6	6
Lighting	optional	optional	optional	optional
Lock	yes	yes	yes	yes
Interior material	Antibacterial white powder coated steel	Antibacterial white powder coated steel	Antibacterial white powder coated steel	Antibacterial white powder coated steel
Exterior material	white powder coated steel	white powder coated steel	white powder coated steel	white powder coated steel
Refrigerant	R404a	R404a	R404a	R404a



Antibacterial
steel interior!



DS-BM7GPR, DS-BB7GPR



DS-BM14GPR, DS-BB14GPR

Upright cabinets with Glass door

Model	DS-BM7GPR	DS-BB7GPR	DS-BM14GPR	DS-BB14GPR
Dimensions exterior WxDxH (mm)	700x800x2080	700x800x2080	1400x800x2080	1400x800x2080
Net capacity (L)	700	700	1400	1400
Dimensions interior WxDxH (mm)	600x665x1500	600x665x1500	1300x665x1500	1300x665x1500
Insulation (mm)	50	50	50	50
Temperature range (°C)	+2°+8° +2°+15° upon request	-10°-25°	+2°+8° +2°+15° upon request	-10°-25°
Temperature setting accuracy (°C)	0,1°C	0,1°C	0,1°C	0,1°C
Max. ambient temperature (°C)	32°	32°	32°	32°
Type of cooling unit	Traditional	Traditional	Traditional	Traditional
Power supply (V)	220V/240V	220V/240V	220V/240V	220V/240V
Frequency (Hz)	50Hz	50Hz	50Hz	50Hz
Power consumption (KW)	335	510	440	780
Weight (KG)	105	115	170	180
Shipping weight (KG)	120	130	190	200
Shipping dimensions WxDxH (mm)	790x860x2260	790x860x2260	1500x860x2260	1500x860x2260
No. of compressors.	1	1	1	1
Doors	1	1	2	2
Automatic defrost	yes	yes	yes	yes
Castors	optional	optional	optional	optional
Chart recorder	optional	optional	optional	optional
Shelves (pcs)	3	3	6	6
Lighting	yes	yes	yes	yes
Lock	yes	yes	yes	yes
Interior material	Antibacterial white powder coated steel	Antibacterial white powder coated steel	Antibacterial white powder coated steel	Antibacterial white powder coated steel
Exterior material	white powder coated steel	white powder coated steel	white powder coated steel	white powder coated steel
Refrigerant	R404a	R404a	R404a	R404a



HIGH PERFORMANCE LABORATORY STORAGE COMPACT FORMAT

- **Standard controller.** Please see page 13 for description
- **DST Touch controller (Optional).** Please see page 14 for description
- **Traditional cooling unit** with ventilated evaporator inside chamber
- **Automatic defrost** for better temperature uniformity.
- **Cyclopentane insulation** 50 mm HCFC and CFC free, next-to-zero CO₂ emissions, extra durability.
- **Benchmark temperature uniformity** of +/-2,5°C from set point (for DS-SM40B/I in accordance with the norm NFX 15.140 and insertion of 9 probes).
- **LED lighting** for Glass doors. The best solution available in terms of power savings, life-time of parts and total appearance.
- **Rounded internal corners.** Easy to clean and maintain.
- **Forced-air cooling.** Powerful cooling unit and enforced ventilation ensure maximum temperature stability even with frequent door openings
- **Stainless steel interior.** Interior of stainless steel which is very durable and easy to clean material.
- **Removable door gaskets.** The cleaner are gaskets the longer they last!
- **Door lock with keys**
- **Adjustable feet.** It is possible to change a height of cabinets and undercounters by regulating a height of feet
- **Castors** available on request
- **Tropicalized compressors** designed for high ambient temperatures up to +43°C.
- **R404a coolant gas** as standard or R290 upon request.



LED lamps consume from 50 to 75% less energy than traditional lamps.



Removable (magnetic) door gaskets



Adjustable powder coated steel shelf (standard for all models)



Optional wheel kit (2 with brakes)



Volt-free contact



Stainless Steel drawers (optional)



Door lock with keys as standard, USB port optional



Probe hole optional



Standard
Electronic controller with alarms and registration of last events.



Optional for standard Controller
Recorder of temperature and events with USB port





Model	DS-SLIM150NTVB-B	DS-SLIM150NTVGB-B
Dimensions exterior WxDxH (mm)	62,5X70X85	62,5X70X85
Net capacity (L)	150	150
Insulation (mm)	40	40
Temperature range (°C)	+2° / +8°C fino a +15°C	+2° / +8°C fino a +15°C
Max. ambient temperature (°C)	+32°C	+32°C
Type of cooling	ventilated	ventilated
Power supply (V)	220-240	220-240
Frequency (Hz)	50	50
Power consumption, KW	217	217
Weight (KG)	55	65
No. of compressors.	1	1
Automatic defrost	automatic	automatic
Castors	si	si
Chart recorder	optional	optional
Shelves (pcs)	2	2
Lock	si	si
Internal lighting	no	si
Interior material	stainless steel	stainless steel
Exterior material	white powder coated steel	white powder coated steel
Refrigerant	R404a	R404a



HIGH PERFORMANCE LABORATORY STORAGE COMPACT FORMAT



DS-SM40B/I, DS-SB40B/I



DS-SM40GB/I, DS-SB40GB/I

Upright cabinets with solid and glass door

			Glass door
Model	DS-SM40B/I	DS-SB40B/I	DS-SM40GB/I
Dimensions exterior WxDxH (mm)	600x600x1900	600x600x1900	600x600x1900
Net capacity (L)	400	400	400
Dimensions interior WxDxH (mm)	500x500x1350	500x500x1350	500x500x1350
Insulation (mm)	50	50	50
Temperature range (°C)	+2°+8° +2°+15° upon request	-10°-25°	+2°+8° +2°+15° upon request
Temperature setting accuracy (°C)	0,1°C	0,1°C	0,1°C
Max. ambient temperature (°C)	43°	43°	43°
Type of cooling unit	Traditional	Traditional	Traditional
Power supply (V)	220V/240V	220V/240V	220V/240V
Frequency (Hz)	50Hz	50Hz	50Hz
Power consumption (KW)	270	363	330
Weight (KG)	65	70	75
Shipping weight (KG)	75	80	85
Shipping dimensions WxDxH (mm)	640x640x2050	640x640x2050	640x640x2050
No. of compressors.	1	1	1
Doors	1	1	1
Automatic defrost	yes	yes	yes
Castors	optional	optional	optional
Chart recorder	optional	optional	optional
Shelves (pcs)	3	3	3
Lighting	optional	optional	yes
Lock	yes	yes	yes
Interior material	s/steel	s/steel	s/steel
Exterior material	white powder coated steel	white powder coated steel	white powder coated steel
Refrigerant	R404a (R290 optional)	R404a (R290 optional)	R404a (R290 optional)



DS-SM80B/I, DS-SB80B/I



DS-SM80GB/I, DS-SB80GB/I

Upright cabinets with solid and glass door

			Glass door
Model	DS-SM80B/I	DS-SB80B/I	DS-SM80GB/I
Dimensions exterior WxDxH (mm)	1200x600x1900	1200x600x1900	1200x600x1900
Net capacity (L)	800	800	800
Dimensions interior WxDxH (mm)	1000x500x1350	1000x500x1350	1000x500x1350
Insulation (mm)	50	50	50
Temperature range (°C)	+2°+8° +2°+15° upon request	-10°-25°	+2°+8° +2°+15° upon request
Temperature setting accuracy (°C)	0,1°C	0,1°C	0,1°C
Max. ambient temperature (°C)	43°	43°	43°
Type of cooling unit	Traditional	Traditional	Traditional
Power supply (V)	220V/240V	220V/240V	220V/240V
Frequency (Hz)	50Hz	50Hz	50Hz
Power consumption (KW)	330	477	330
Weight (KG)	130	130	140
Shipping weight (KG)	140	140	150
Shipping dimensions WxDxH (mm)	1240x640x2050	1240x640x2050	1240x640x2050
No. of compressors.	1	1	1
Doors	1	1	1
Automatic defrost	yes	yes	yes
Castors	optional	optional	optional
Chart recorder	optional	optional	optional
Shelves (pcs)	6	6	6
Lighting	optional	optional	yes
Lock	yes	yes	yes
Interior material	s/steel	s/steel	s/steel
Exterior material	white powder coated steel	white powder coated steel	white powder coated steel
Refrigerant	R404a	R404a	R404a



HIGH PERFORMANCE LABORATORY STORAGE COMPACT FORMAT



Model	DS-SM550B/I	DS-SM550GB/I
Dimensions exterior WxDxH (mm)	700x860x2060	700x860x2060
Net capacity (L)	500	500
Dimensions interior WxDxH (mm)		
Insulation (mm)	70	70
Temperature range (°C)	+2° / +8°C fino a +15°C	+2° / +8°C fino a +15°C
Temperature setting accuracy (°C)	0,1°C	0,1°C
Max. ambient temperature (°C)	+43°C	+43°C
Type of cooling unit	ventilated	ventilated
Power supply (V)	220-240	220-240
Frequency (Hz)	50	50
Power consumption, KW	385	385
Weight (KG)	85	110
Shipping weight (KG)	95	120
Shipping dimensions WxDxH (mm)		
No. of compressors.	1	1
Automatic defrost	automatic	automatic
Castors	yes	yes
Chart recorder	optional	optional
Shelves (pcs)	3	3
Lock	yes	yes
Internal lighting	no	yes
Interior material	stainless steel	stainless steel
Exterior material	white powder coated steel	white powder coated steel
Refrigerant	R404a	R404a



Model	DS-SMB80B/I	DS-S2M80GB/I
Dimensions exterior WxDxH (mm)	1200x600x1900	1200x600x1900
Net capacity (L)	400+400	400+400
Dimensions interior WxDxH (mm)	1000x500x1350	1000x500x1350
Insulation (mm)	50	50
Temperature range (°C)	+2°+8° / -10° -25°C	+2°+8° / +2°+15°
Temperature setting accuracy (°C)	0,1°C	0,1°C
Max. ambient temperature (°C)	43°	43°
Type of cooling unit	Traditional	Traditional
Power supply (V)	220V/240V	220V/240V
Frequency (Hz)	50Hz	50Hz
Power consumption (KW)	330	330
Weight (KG)	140	140
Shipping weight (KG)	150	150
Shipping dimensions WxDxH (mm)	1240x640x2050	1240x640x2050
No. of compressors.	2	2
Automatic defrost and evaporation	automatic defrost	automatic defrost
Castors	optional	optional
Chart recorder	optional	optional
Shelves (pcs)	6	6
Internal lighting	yes	yes
Lock	yes	yes
Interior material	s/steel	s/steel
Exterior material	white powder coated steel	white powder coated steel
Refrigerant	R404a	R404a

HIGH PERFORMANCE LABORATORY STORAGE COMPACT FORMAT



Model	DS-S2M40GB/I	DS-S2M40SGB-I
Dimensiones exterior WxDxH (mm)	600x600x1900	600x600x1900
Net capacity (L)	380	380
Insulation (mm)	50	50
Temperature range (°C)	+2° / +8°C - +8° +15°C	+2° / +8°C - +8° +15°C
Max. ambient temperature (°C)	+43°C	+43°C
Type of cooling	ventilated	ventilated
Power supply (V)	220-240	220-240
Frequency (Hz)	50	50
Power consumption, KW	180 + 180	180 + 180
Weight (KG)	75	75
No. of compressors.	2	2
Automatic defrost and evaporation	automatic	automatic
Castors	no	no
Chart recorder	optional	optional
Shelves (pcs)	4	4
Lock	yes	yes
Internal lighting	yes	yes
Interior material	stainless steel	stainless steel
Exterior material	lamiera verniciato bianco	lamiera verniciato bianco
Refrigerant	R404a	R404a

PHARMA line

**HIGH PERFORMANCE – PURPOSE-BUILT
FOR STORAGE OF MEDICINES
DIN 58345 (WITH OPTIONAL KIT)**



Desmon proposes a wide range of pharmaceutical versions of refrigerators and freezers from LAB Maxi, Sani and Mini series with DST touch screen controller and DIN 58345 kit including anti-freezing relay and power failure alarm





Note

A series of horizontal dashed lines for writing notes.



- **Controller.** Microprocessor control panel with touch pad and LCD digital display showing inside temperature and equipped with PT100 probe. Adjustable and visual alarms include: high and low temperature, open door, condenser efficiency, damaged probes, power failure, low battery, RS485 serial port and LAN port (optionals), datalogger with USB port.
- **Refrigeration system.** Completely sealed, silent and very efficient hermetic compressor and ventilated air condenser. Internal compartment with ventilated evaporator and CFC-free refrigerant. Evaporator fan stops during door opening.
- **Defrosting.** Fully automatic
- **Temperature range.** +2° +6°C and factory pre-set value +4°C.
- **Rounded internal corners.** Easy to clean and maintain.
- **LED lighting.** LED lamps with automatic or manual switch
- **Stainless steel interior.** All upright cabinets have an interior of stainless steel which is very durable and easy to clean material.
- **External structure.** External structure in hot-dip galvanised steel, anti-corrosion treated and white PVC film coated.
- **Door.** Self-closing glass door with folding magnetic gasket on four sides for perfect closing. Right or left hand opening on request. Lock with a key.
- **Drawers.** Sliding drawers made of s/steel AISI304 with transparent frontal side are standard
- **Back-up battery.** Self-powered back-up battery to supply energy to control panel in case of power failure and therefore allowing alarms to work for up to 48 hours.
- **Temperature chart recorder.** Weekly temperature recording system working with 1,5V battery. It is equipped with 52 disks and a pen.
- **Wheels and feet.** Four one-way wheels and two stabilizing adjustable feet
- **Optional.** Internal dividers for drawers, SMS alerts.



Chart recorder



S/steel Drawers



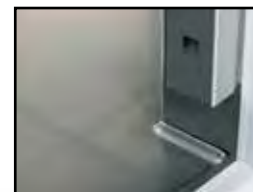
Standard wheel kit



Optional dividers for drawers



Lan and serial ports available on request, Volt-free contact as standard



Rounded internal corners



Removable (magnetic) door gaskets



Microprocessor Control Panel with touch pad and LCD digital display. Set point, switch off and service parameters protected by password.

Switch off protected by password	yes
Internal lighting management	yes
Temperature Datalogger with USB port	yes
Power failure alarm	yes
Adjustable high/low temperature alarm	yes
Open door alarm	yes
Probe failure alarm	yes
SMS alerts	optional
Remote contact (dry, volt-free) for alarm	yes
Back-up battery 12V for control panel	yes
RS 485 - 232 interface	optional
LAN port	optional
Memory for last alarms	yes



DS-AF140E



DS-AF70E



Model	DS-AF140E	DS-AF70E
Dimensions exterior WxDxH (mm)	1440x800x2020	720x800x2020
Net capacity (L)	1400	700
N of blood bags (450ml)	770	385
Insulation (mm)	60	60
Temperature (°C)	+4°C	+4°C
Temperature setting accuracy (°C)	0,1°C	0,1°C
Max. ambient temperature (°C)	+43°C	+43°C
Refrigeration type	Monoblock, ventilated	Monoblock, ventilated
Power supply (V)	220-240	220-240
Frequency (Hz)	50	50
Power consumption (W)	795	550
Weight (KG)	194	146
Shipping weight (KG)	220	161
Shipping dimensions WxDxH (mm)	1500x860x2170	860x910x2170
No. of compressors.	1	1
Doors	2 glass	1 glass
Automatic defrost and evaporation	yes	yes
Castors	yes	optional
Chart recorder	yes	yes
Drawers (pcs)	14 s/steel drawers	7 s/steel drawers
Lighting	yes	yes
Lock	yes	yes
Interior material	s/steel AISI304	s/steel AISI304
Exterior material	White powder coated steel	White powder coated steel
Refrigerant	R404a	R404a



DS-FS30E

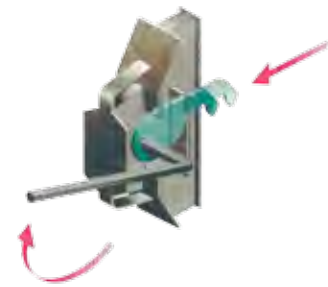


DS-FS15E



Model	DS-FS30E	DS-FS15E
Dimensions exterior WxDxH (mm)	600x600x1935	600x600x1335
Net capacity (L)	300	150
N of blood bags (450ml)	192	96
Insulation (mm)	60	60
Temperature (°C)	+4°C	+4°C
Temperature setting accuracy (°C)	0,1°C	0,1°C
Max. ambient temperature (°C)	+43°C	+43°C
Refrigeration type	Ventilated	Ventilated
Power supply (V)	220-240	220-240
Frequency (Hz)	50	50
Power consumption (W)	295	245
Weight (KG)	118	83
Shipping weight (KG)	131	94
Shipping dimensions WxDxH (mm)	700x680x2120	700x680x1720
No. of compressors.	1	1
Doors	1 glass	1 glass
Automatic defrost	yes	yes
Castors	yes	yes
Chart recorder	yes	yes
Drawers (pcs)	6 s/steel drawers	3 s/steel drawers
Lighting	yes	yes
Lock	yes	yes
Interior material	s/steel AISI304	s/steel AISI304
Exterior material	White powder coated steel	White powder coated steel
Refrigerant	R404a	R404a

Easy and quick assembling



Walk-in coldroom with cooling unit "angle panel" (optional) and shelving system (optional)

Features & Benefits

(mini-coldroom)

- 80 / 100 mm insulation - Great efficiency and strength
- Modular panels - Easily assembled and disassembled (typically 1 hour)
- Four panel sizes, 300/600/900/1200 and corner section 130x430 - Flexibility in coldroom size and position of the door
- Three heights, for 80: 2000/2160/2360; for 100: 2000/2200/2400;
- Double Action Camlock assembly/Panel interlocking - Perfect seal. No screws or panel cover strip.
- Floorless option available - Enables smooth access for trolleys etc..
- Rounded corners and stainless steel non slip floor reinforced with stainless steel bars (available on request) - Hygienic and easy to clean
- Door with large push in gasket and heater - Perfect seal. Gasket replaceable. No door frame condensation or sticking
- Stainless steel skirting board - Protects skirting adds to finish
- Saddle type refrigeration unit - Can be positioned in any wall
- 43 degree centigrade ambient - Will maintain temperatures in most environments
- Pressure Relief Valve Fitted to freezer and refrigerator - No blowing of door



Modularity of 300 mm

Cooling units

COOLING UNITS FOR COLDROOMS



Monoblock of "Angle panel" type



Monoblock of "straddle" type



Remote unit, "split" type





Isothermal Containers

MOBILE ISOTHERMAL CONTAINERS FOR TRANSPORTATION OF MEDICAL AND PHARMACEUTICAL PRODUCTS

“Desmon Scientific” line includes a group of mobile isothermal containers from 5 to 410l with active cooling for transportation of medicines, vaccines, blood, plasma, organs, etc.

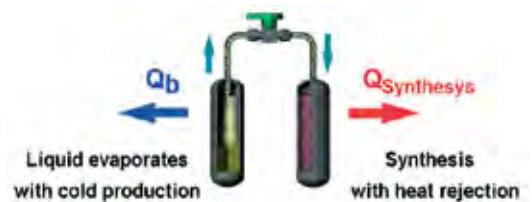
Range

- Alcatherm range: active thermochemical cooling (patented), volumes 35, 75, 135, 160 and 410l, precise $\pm 1^\circ\text{C}$ regulation of inside temperature, full traceability of temperature

Features

- Thermochemical cooling** (patented). Autonomous refrigeration and/or heating without use of electricity during the process, energy storage (cold or heat), without time limitation; powerful refrigeration and/or heating during its return, when opening the valve; simple operation, low noise and vibration; robustness through its sealed stainless steel construction; no moving parts, therefore very low care level and very little maintenance; respect for the environment (no CFCs or substitutes)
- Certifications.** Alcatherm containers are certified for the transport of infectious products of class 6.2 (ADR) and obtained an approval certificate F/LNE F021259-1
- Alarms.** Audible high and low temperature alarms and alarm when the container is not vertical (Alcatherm)
- Digital controller.** Models from Alcatherm range are equipped with digital controller and thermometer.

Thermochemical reaction (phase 1)



Thermochemical reaction (phase 2)



DS-CO75
on a board

Isothermal Containers

TECHNICAL SPECIFICATION "ALCATHERM" RANGE



Controller

Type of controller	digital
Adjustable high/low temperature alarm	yes
Correct positioning alarm	yes



DS-C410



DS-CO75

	Mobile Container	Coolsplit	
Model	DS-C410	DS-CO75	DS-CO135
Dimensions exterior WxDxH (mm)	1110x770x1110	800x600x800	800x600x800
Net capacity (L)	410	75	135
Dimensions interior WxDxH (mm)	960x600x670	620x420x286	720x520x361
Type of cooling	active thermochemical (ventilated)	active thermochemical (ventilated)	active thermochemical (ventilated)
Temperature range (°C)	+2°/+12°C (+12°/+37°C - with a connection to 12V-DC vehicle power supply)	+2°/+12°C	+2°/+12°C
Temperature setting accuracy (°C)	1°C	1°C	1°C
Temperature traceability with recording of lid openings/closings	yes	yes	yes
Autonomy (H)	14	12	8
Battery charge power (W)	1380	500	500
Max. charge duration (H)	6,5	8	8
Weight (KG)	150	8 (box only), 40 (box+ref.base)	6 (box only), 38 (box+ref.base)
Castors	no (for refrigeration vehicles)	yes	yes
Telescopic handle	no (for refrigeration vehicles)	no	no
Interior material	Roto-moulded polyethylene	Expanded polypropylene	Expanded polypropylene
Insulation	CFC-free expanded polyurethane	CFC-free expanded polyurethane	CFC-free expanded polyurethane
Exterior material	Roto-moulded polyethylene	Roto-moulded polyethylene	Roto-moulded polyethylene



Ice makers

ICE MAKERS (CUBES - SPRAYER SYSTEM)



DS-SL 35A



Automatic ice cube makers - sprayer system. The cube reflects absolute DESMON's quality: it is clear, crystalline and highly compact. The cubes produced automatically fall into the bin. This system always grants a large amount of ice available, even when the demand is at its peak.

The equipments are to be considered in tropical class (ambient temperature up to 32 °C)

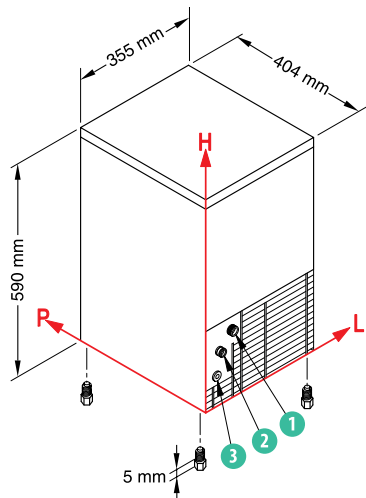
DS-SL 50A



DS-SL 60A

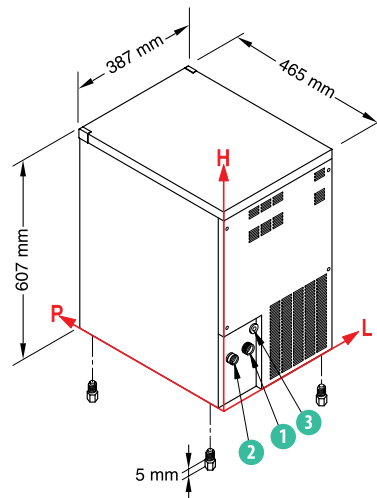


TECHNICAL SPECIFICATION ICE MAKERS FOR CUBES



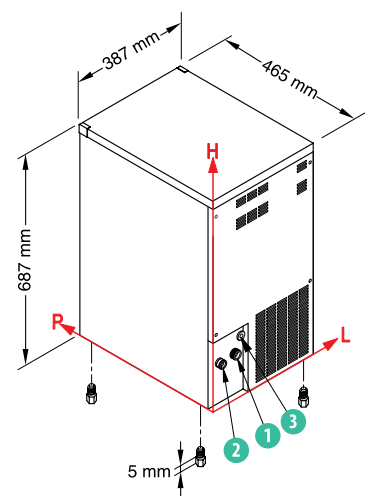
DS-SL 35

	Descrizione/Description	L	H
1	Ingresso acqua Water inlet	88	184
2	Scarico acqua Water Outlet	45	138
3	Connessione elettrica Electrical Connection	41	73



DS-SL 50

	Descrizione/Description	L	H
1	Ingresso acqua Water inlet	129	137
2	Scarico acqua Water Outlet	56	137
3	Connessione elettrica Electrical Connection	89	180

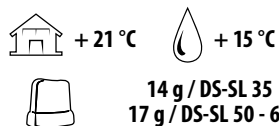


DS-SL 60

	Descrizione/Description	L	H
1	Ingresso acqua Water inlet	129	137
2	Scarico acqua Water Outlet	56	137
3	Connessione elettrica Electrical Connection	89	180

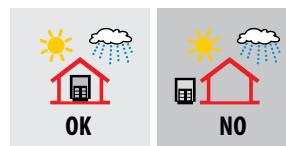
Produzione Production	20 kg/24 h	28 kg/24 h	32 kg/24 h
Condensazione Condensing	A/W	A/W	A/W
Refrigerante Refrigerant	R 404 A	R 404 A	R 404 A
Entrata acqua Water inlet	ø 3/4"	ø 3/4"	ø 3/4"
Scarico acqua Drain	ø mm 24	ø mm 24	ø mm 24
Peso netto-lordo Net-gross weight	kg 27,5/34	kg 39/41	kg 38/44
Dimensioni con imballo Sizes with packaging	mm 415 x 445 x 780	mm 440 x 520 x 780	mm 440 x 520 x 860
Potenza Power	W 320	W 290	W 350
Tensione standard Standard voltage	220-240V ~ 50Hz - 1	220-240V ~ 50Hz - 1	220-240V ~ 50Hz - 1
Capacità contenitore fino a Bin capacity up to	kg 4	kg 6	kg 9
Consumo acqua Water consumption	l/kg A=4,5 W=20	l/kg A=5,1 W=14	l/kg A=5,1 W=14
Tipo di cubetto Kind of cube	14 g	14 - 17 - 32 - 41 g	14 - 17 - 32 - 41 g

Condizioni / Conditions



Watt + 43 °C
 (230/1/50)

Classe tropicale
 Tropical class



			V	
Minimum	+10 °C	+3 °C	-10%	1 bar (14psi)
Maximum	+43 °C	+32 °C	+10%	6 bar (84psi)



Ice makers

TECHNICAL SPECIFICATION ICE MAKERS FOR CUBES



DS-SL 70A



Automatic ice cube makers - sprayer system. *The cube reflects absolute DESMON's quality: it is clear, crystalline and highly compact. This is the ideal range of machines to meet the request of ice, especially during "hot hours" of the day. The cubes automatically fall into the collection bin and are ready to be used.*

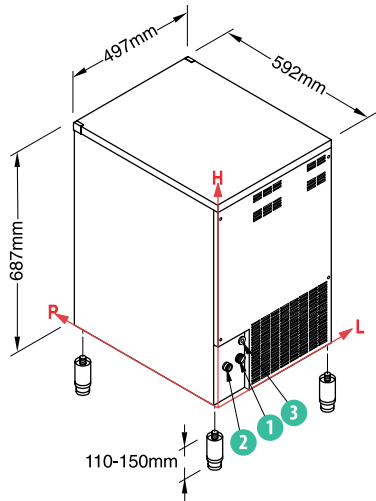
DS-SL 90A



DS-SL 110A

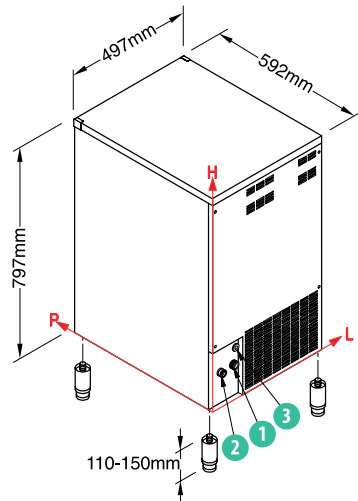


TECHNICAL SPECIFICATION ICE MAKERS FOR CUBES



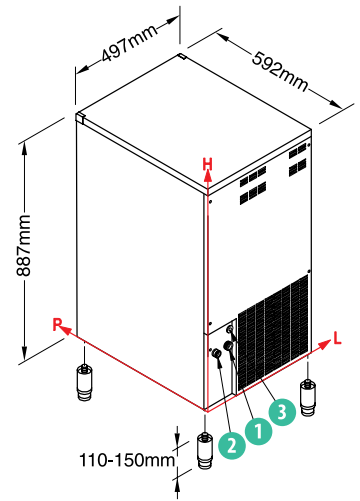
DS-SL 70

Descrizione/Description	L	H
Ingresso acqua Water inlet	129	132
Scarico acqua Water Outlet	56	154
Connessione elettrica Electrical Connection	94	202



DS-SL 90

Descrizione/Description	L	H
Ingresso acqua Water inlet	129	132
Scarico acqua Water Outlet	56	154
Connessione elettrica Electrical Connection	94	202

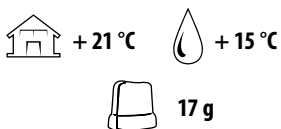


DS-SL 110

Descrizione/Description	L	H
Ingresso acqua Water inlet	129	132
Scarico acqua Water Outlet	56	154
Connessione elettrica Electrical Connection	94	202

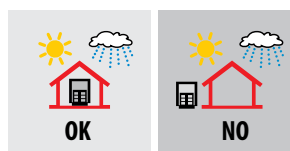
Produzione Production	37 kg/24 h	46 kg/24 h	53 kg/24 h
Condensazione Condensing	A/W	A/W	A/W
Refrigerante Refrigerant	R 404 A	R 404 A	R 404 A
Entrata acqua Water inlet	ø 3/4"	ø 3/4"	ø 3/4"
Scarico acqua Drain	ø mm 24	ø mm 24	ø mm 24
Peso netto-lordo Net-gross weight	kg 48/55	kg 52/61	kg 55/64
Dimensioni con imballo Sizes with packaging	mm 550 x 660 x 860	mm 550 x 660 x 970	mm 550 x 660 x 1060
Potenza Power	W 370	W 450	W 500
Tensione standard Standard voltage	220-240V ~ 50Hz - 1	220-240V ~ 50Hz - 1	220-240V ~ 50Hz - 1
Capacità contenitore fino a Bin capacity up to	kg 16	kg 25	kg 25
Consumo acqua Water consumption	l/kg A=3,3 W=15	l/kg A=4 W=18	l/kg A=4 W=18
Tipo di cubetto Kind of cube	14 - 17 - 32 - 41 g	14 - 17 - 32 - 41 g	14 - 17 - 32 - 41 g

Condizioni / Conditions



Watt + 43 °C
 (230/1/50)

Classe tropicale
Tropical class



			V	
Minimum	+10 °C	+3 °C	-10%	1 bar (14psi)
Maximum	+43 °C	+32 °C	+10%	6 bar (84psi)



TECHNICAL SPECIFICATION ICE MAKERS FOR GRANULAR ICE

DS-SLF 190



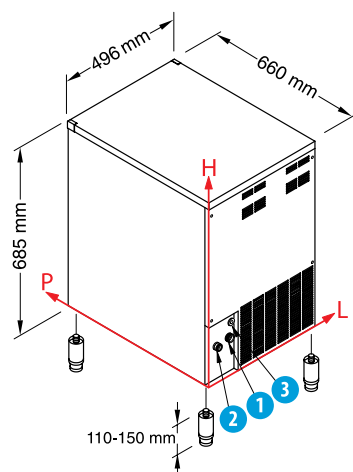
Automatic ice makers, granular ice.

These machines have been designed to produce ice granules. Finishing fully 18/8 stainless steel, they are particularly suitable for situations that require a great quantity of granular ice: bars, restaurants, fish shops, chemical and pharmaceutical industries.

DS-SLF 225

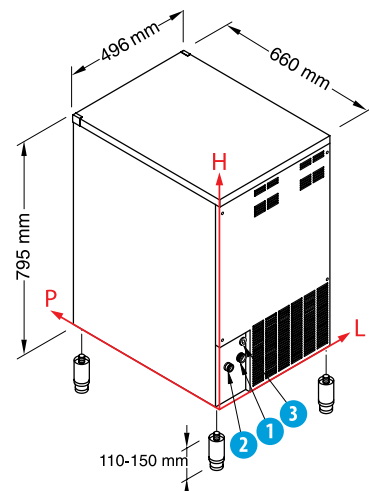


TECHNICAL SPECIFICATION ICE MAKERS FOR GRANULAR ICE



DS-SLF 190

Descrizione/Description	L	H
1 Ingresso acqua Water inlet	105	135
2 Scarico acqua Water Outlet	55	140
3 Connessione elettrica Electrical Connection	115	220

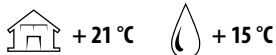


DS-SLF 225

Descrizione/Description	L	H
1 Ingresso acqua Water inlet	105	135
2 Scarico acqua Water Outlet	55	140
3 Connessione elettrica Electrical Connection	115	220

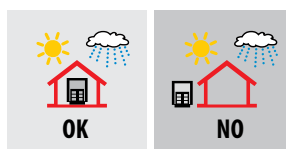
Produzione Production	90 kg/24 h	90 kg/24 h
Condensazione Condensing	A/W	A/W
Refrigerante Refrigerant	R 404 A	R 404 A
Entrata acqua Water inlet	ø ¾"	ø ¾"
Scarico acqua Drain	ø mm 24	ø mm 24
Peso netto-lordo Net-gross weight	kg 59/67	kg 63/74
Dimensioni con imballo Sizes with packaging	mm 550 x 720 x 880	mm 550 x 720 x 990
Potenza Power	W 550	W 550
Tensione standard Standard voltage	220-240V ~ 50Hz - 1	220-240V ~ 50Hz - 1
Capacità contenitore Bin capacity	kg 19	kg 28
Consumo acqua Water consumption	l/kg A=1 W=6,3	l/kg A=1 W=6,3

Condizioni / Conditions



Watt + 43 °C
 (230/1/50)

Classe tropicale
 Tropical class



			V	
Minimum	+10 °C	+3 °C	-10%	1 bar (14psi)
Maximum	+43 °C	+32 °C	+10%	6 bar (84psi)



TECHNICAL SPECIFICATION ICE MAKERS FOR GRANULAR ICE

DS-SLF 320



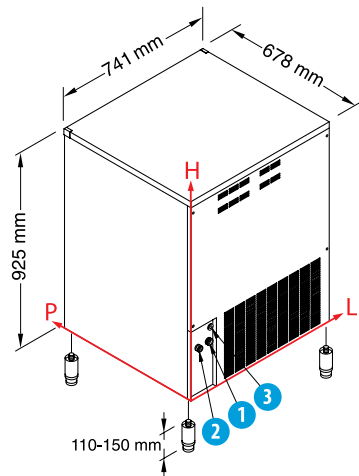
Automatic ice makers, granular ice.

These machines have been designed to produce ice granules. Finishing fully 18/8 stainless steel, they are particularly suitable for situations that require a great quantity of granular ice: bars, restaurants, fish shops, chemical and pharmaceutical industries.

DS-SLF 355

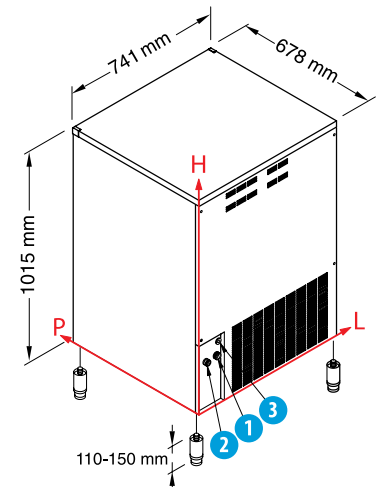


TECHNICAL SPECIFICATION ICE MAKERS FOR GRANULAR ICE



DS-SLF 320

	Descrizione/Description		L	H
1	Ingresso acqua Water inlet		120	230
2	Scarico acqua Water Outlet		65	245
3	Connessione elettrica Electrical Connection		130	310

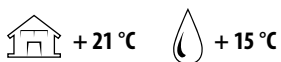


DS-SLF 355

	Descrizione/Description		L	H
1	Ingresso acqua Water inlet		120	230
2	Scarico acqua Water Outlet		65	245
3	Connessione elettrica Electrical Connection		130	310

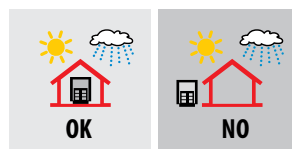
Produzione Production	150 kg/24 h	150 kg/24 h
Condensazione Condensing	A/W	A/W
Refrigerante Refrigerant	R 404 A	R 404 A
Entrata acqua Water inlet	ø 3/4"	ø 3/4"
Scarico acqua Drain	ø mm 24	ø mm 24
Peso netto-lordo Net-gross weight	kg 85/95	kg 87/98
Dimensioni con imballo Sizes with packaging	mm 800 x 750 x 1055	mm 800 x 750 x 1150
Potenza Power	W 650	W 650
Tensione standard Standard voltage	220-240V ~ 50Hz - 1	220-240V ~ 50Hz - 1
Capacità contenitore Bin capacity	kg 38	kg 55
Consumo acqua Water consumption	l/kg A=1 W=6,4	l/kg A=1 W=6,4

Condizioni / Conditions



Watt + 43 °C
 (230/1/50)

Classe tropicale
 Tropical class



			V	
Minimum	+10 °C	+3 °C	-10%	1 bar (14psi)
Maximum	+43 °C	+32 °C	+10%	6 bar (84psi)



GENERAL SALES AND WARRANTY CONDITIONS

1. Introduction

These Conditions of Sale shall form an integral part of all offers and agreements for the sale of goods by Desmon S.p.A. Any condition put forward by the Buyer in his order or otherwise will only have effect if accepted by Desmon S.p.A. in writing. Desmon S.p.A. will confirm the Buyer's orders by an order acknowledgment and an agreement will be concluded only upon the issue of the order acknowledge.

2. Offers

A Desmon offer is valid for 15 days from its date of issue, unless otherwise expressly stated in the offer. Desmon S.p.A. may revoke any offer at any time prior to receiving the Buyer's acceptance.

3. Pricing

Product prices will be listed in the Order Confirmation. Prices, unless otherwise specified in the Order Confirmation, do not include: shipping charges, as well as taxes and additional charges which are paid by the Buyer, in addition to price.

Unless otherwise indicated in the Order Confirmation, the packaging type will be the one always used by Desmon S.p.A.

4. Material selection

In the event Desmon S.p.A. gives any advice on material selection or other similar assistance, it's given free of charge without any undertaking, representation or warranty and Desmon S.p.A. shall have no liability – neither compensatory nor consequential – for any such advice or assistance.

5. Specifications

The goods shall meet the agreed specifications. If no specifications are agreed, the Products shall meet the standard manufacturing specifications of Desmon S.p.A. at the time of delivery. Statements presented in the product information, handbooks, web sites, price lists or other information regarding the goods will be binding on Desmon S.p.A. only if expressly referred to an offer or Acknowledge.

Desmon S.p.A. reserves the right to make non-substantial changes to such technical data on Products at any time, without notice, if modifications were considered necessary.

6. Delivery

The agreed delivery time means the date on which the goods shall be ready for Ex-Works dispatch from Desmon S.p.A.. The time of delivery indicated in the Order Confirmation is only indicative and not strict. Goods will be travelling for account and risk of the Buyer, even if sold like "Delivered At Placer" (DAP) and they will not insured without express Buyer's appointment. Delivery shall be deemed done by the time of loading at our warehouses, by the Buyer himself or by any commissioned carrier, with the result that Desmon S.p.A. remains absolutely excluded from all liability, differences and/or defects found on cargo after releasing the Products from our facilities. If there are no other agreed delivery terms shall apply as preferred choice Ex Works (incoterms 2000) used by

Desmon S.p.A.

If the delivery be delayed by more than 2 weeks, the Buyer as the sole remedy, be entitled to terminate and cancel the purchase of the goods delayed by giving written notice thereof to Desmon S.p.A.. Desmon S.p.A. is free of any liability on damages resulting from the non-delivery of the Products within their scheduled Delivery Time.

7. Warranty and/or Shortages

Desmon S.p.A. guarantees all components on their products, excluding electrical parts, for a 24 month from the date of delivery. The only proof of delivery are the transportation documents issued by Desmon.

Are not covered by the warranty: all parts that may be defective due to negligence or careless use, incorrect installation or maintenance, alteration or arbitrary maintenance, maintenance operations conducted by unauthorized personnel, or installation in unsuitable situations, damage in freight or on any other means of transportation, or, finally, in further circumstances which may not being considered as manufacturing defects of components. Are also excluded from our warranty further operations pertaining to installation and plug-in to the power or other supplies.

Desmon S.p.A. disclaims any further liability cause by any damage that directly or indirectly may be caused to persons, domestic animals or properties due to failure to observe all the prescriptions indicated in the "Manual of Instructions" and especially on warnings regarding installation, use and maintenance of the appliance in the event of failures or forced suspension on using the Product. Moreover, when the user not followed any safety rules, because not adequately informed about the "safety in the job place" and eventually even not provided of the appropriate protective garment.

The shipment of the parts on warranty will be in the assigned port and will be regularly invoiced. Upon reception of the parts replaced on warranty, Desmon S.p.A. will issue a credit note to the buyer.

If the products were returned because defective or not working, the Buyer will be required to report their defective state by written communication to Desmon S.p.A. – providing detailed description of all defects and/or noncompliance claimed - no later than 8 days before the arrival of the products in the event of easily recognizable vices; or since the discovery of the defect in case of hidden defects (unless are passed two years from the date of delivery). In case of belated complaints (or more than 2 years from the delivery date) the Buyer lose the warranty claim rights for defects in our products. In case of buyer complaints in due time, Desmon S.p.A. may, at its option and within a reasonable time: correct the defect or replace the part(s) or product(s) affected by defect(s) and/or shortages, with free part(s) or product(s) of the same kind, under Ex-Works delivery terms, being able to request the return of further defective part(s) or Product(s), or delivering the missing amount as originally agreed in case of quantitative deficiencies, or recognizing a price decrease to the Buyer commensurate to the



Without prejudice on the limitation periods for defect and shortcoming reporting, further warranty claim actions are prescribed within two years from the delivery date of the Products in any way

Products sold as non-prime or under similar description are sold "as is", which means that all rights to remedies and compensation for defects are waived unless such goods deviate from expressly agreed specifications.

8. Retention of title

If agreed that payment should be made, in whole or in part, after delivery of the Products, it is expressly agreed that all Products shall remain property of Desmon S.p.A. until the balance is paid.

The non-payment of just one instalment cause, at the discretion of Desmon S.p.A., the loss of the benefit of extension, or also the contract resolution under Art 1.456 (Italian civil law) if followed by a written advice from Desmon S.p.A. notifying its intention to invoke this termination clause, in this case any other contract between Desmon S.p.A. and the Buyer related to product supplies will be considered solved; Desmon S.p.A. will therefore not be required to complete other orders received by the Buyer or shipping Products referred to orders in progress, the Buyer renounce from now to any claim at any title or to require further compensations at this regard. In the event of contract resolution, Desmon S.p.A. shall keep the right to claim the return of the unpaid Products holding the paid portion as compensation, without withdrawing to the right to claim compensation for further extra costs.

9. Payments

The Conditions of Sale and payment terms for the price and its accessories are indicated in the Order Confirmation and/or in the sales invoice.

Any payment made by bank drafts, checks or other means of credit should be considered as accepted only subjected to a successful credit collection with the sole purpose of facilitating to cash the credits, in the event of unpaid credits the jurisdiction is that of our Company headquarters.

If Desmon S.p.A. for any reason has to pay Buyers VAT and VAT related penalties, the Buyer shall reimburse Desmon S.p.A. for these costs plus overdue interest as stated below in respect of Desmon's Payment thereof. If the Buyer has not paid in time, the Buyer shall pay overdue interest on the amount outstanding at a rate of 7 percent per annum above the three month Euribor (Euro Inter-Bank Offered Rate) from the due rate to the payment date.

10. Entire agreement

These Conditions of Sales, the Order Acknowledge with its enclosures and any amendments agreed in writing constitutes the entire agreement between the Parties.

11. Government law

The Agreement between Desmon S.p.A. and Buyer shall be governed by Italian law. Any dispute concerning the execution, interpretation and breach of the contract or the interpretation and application of what stated on these Terms and Conditions shall be referred under the exclusive jurisdiction of the Courts of Avellino, Italy.



DESMON
Scientific

Medical and Laboratory Refrigeration

www.desmonscientific.com

DESMON S.p.A.

Head Office:
Zona Ind. F3 Sup.
83051 Nusco (AV)

ITALIA

Tel.: +39 0827 607318
Fax: +39 0827 607009
E-mail: info@desmon.it



Il costruttore si riserva il diritto di apportare modifiche senza preavviso - We reserve the right to change specifications without notice - Nous réservons le droit de modifier nos produits sans préavis - Technische Änderungen vorbehalten - El constructor se reserva la facultad de aportar cambios sin aviso previo - Doğal olarak, ürünlerde yapılacak olası teknolojik yenilikler ve değişiklikleri haber vermeksizin yapma hakkımızı saklı tutmaktayız - Мы оставляем за собой право вносить изменения в спецификацию без дополнительного уведомления