



SILVER line



Armadi e Tavoli Refrigerati - Refrigerated Cabinets and Work tables - Armoires et Tables Refrigerées



SILVER line

Robustezza, affidabilità e design sono le qualità più apprezzate della Silver line della Desmon. Prodotti realizzati interamente in acciaio Aisi 304/441 con struttura di tipo monoscocca con esterno finemente satinato (scotch-Brite). Allo scopo di garantire un efficace isolamento, con il minimo consumo energetico, l'isolamento, da 60mm (50mm su Slim line), è realizzato in poliuretano ad alta densità privo di CFC nel rispetto e a salvaguardia dell'ambiente.

Capacità 400/550/600/700/800/1200/1400 litri
Versioni TN/BT
Controllo Elettronico
Ventilato - H.A.C.C.P su richiesta
Unità refrigerante a monoblocco (escluso SlimLine)
Sbrinamento automatico
Evaporazione automatica (escluso SlimLine)
Isolamento da 60 mm senza CFC / HCFC
Isolamento da 50 mm su SlimLine
Angoli interni arrotondati
Piedini regolabili in ABS
Porte reversibili e autochiudenti
Griglie plastificate dim. 530x650mm

Spessore isolamento 60mm senza CFC E HCFC; Da 50 mm su SlimLine



Insulation thickness 60 mm CFC & HCFC free. 50 mm of thickness for SlimLine

Interno in acciaio Inox AISI 304/441
Angoli interni arrotondati



Interior Stainless Steel AISI 304/441. Rounded corner internal for easy cleaning

Guarnizione amovibili per una facile pulizia



Wide magnetic gasket gives effective seal and is removable for easy cleaning

Griglie Plastificate
posizionabili ogni 60mm



Trayslide adjustable at 60mm intervals



SM40X-G



SF40X



SM40X



SM80X

SM80XG

Capacity 400/550/600/700/800/1200/1400 lt

Versions: chillers and freezers

Electronic control

Ventilated

H.A.C.C.P. function available

Compact refrigeration System (not available on the SlimLine)

Auto defrost

Auto evaporation (not available on the SlimLine)

Polyurethane insulation 60mm CFC/HCFC free

Insulation 50mm (Slim Line)

Interior rounded corner

Adjustable plastic feet

Reversible & Self closing doors

Plastic-coated shelves dim. 530x650 mm

Reliability, strength and design are the most appreciated quality of the SILVER of DESMON. Product entirely manufactured in stainless steel AISI 304 with single unit foamed, finely satin finishing outside. To assure an effective insulation and a minimum consumption of energy, the insulation is made with high density polyurethane without CFC in the respect and safeguard of the environment.

SILVER line



SM550



**SM6
SM7**



Unità refrigerante a monoblocco
Compact refrigeration system



**SM12
SM14**

(Optional)
H.A.C.C.P Control
Griglie inox dim. 530x650mm
Serratura con chiavi
Piedini regolabili in Inox

(Accessory on request)
H.A.C.C.P Control
Stainless Steel shelves dim. 530x650 mm
Lockable Doors
Adjustable Inox feet

Affidabilità della componentistica.



High reliability of all components.

Unità refrigerante a Monoblocco per sfruttare tutta la capacità di stoccaggio.(escluso SlimLine)



Compact Refrigeration System featuring designed to maximise available capacity. (not available on SlimLine)

Cruscotto incernierato per consentire facile accesso alle parti elettriche ed all'unità motocondensante.



Hinged control panel for service access

Cremaie amovibili senza l'uso di utensili



Completely removable racking for easy cleaning



SILVER line



TSM3-3Y

Piano con alzatina
disponibile su richiesta



Optional angled splashback pre-
vents spillage behind the counter

Guarnizione amovibili per una facile
pulizia



Wide magnetic gasket gives effective
seal and is removable for easy
cleaning

Griglie Plastificate
posizionabili ogni 60mm



Trayslide adjustable at
60mm intervals

Interno in acciaio AISI 304.
Angoli interni arrotondati



304 Grade Stainless Steel
interior. Rounded corner
internal for easy cleaning



Controllo Elettronico
Ventilato
H.A.C.C.P su richiesta
Sbrinamento automatico
Evaporazione automatica
Gas : R404a
Isolam. da 50 mm senza CFC/HCFC
Esterno/Interno in acciaio inox AISI
304/441
Angoli interni arrotondati
Piedini regolabili in ABS
Griglie plastificate GN 1/1 dim.
530x325mm

Tavoli refrigerati (Prof. 600mm e 700mm) da 1 a 4 porte,
cassetti da 1/2, 1/3 e 2/3, cassetto
neutro o refrigerato su vano motore.

Refrigerated work tables
(depth. 600mm and 700mm) from 1 to 4 doors,
drawers of 1/2, 1/3 e 2/3,
neutral or refrigerated drawer
above compressing unit.



TSM2 - TIM2

Electronic control
Ventilated
H.A.C.C.P. function available
Auto defrost & evaporation
Gas: R404a
Polyurethane insulation
50mm CFC & HCFC free
304/441 Grade Stainless Steel
Interior/Exterior
Interior rounded corner
Adjustable plastic feet
Plastic-coated shelves
dim. 530x325 mm



TSM3 - TIM3



TSM4 - TIM4

Tavoli refrigerati (Prof. 600mm e 700mm) da 1 a 4 porte, cassetti da 1/2, 1/3 e 2/3

Refrigerated work tables (depth. 600mm and 700mm) from 1 to 4 doors, drawers of 1/2, 1/3 e 2/3



TSM2R-TIM2R



TSM3R-TIM3R

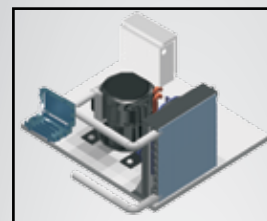


TSM4R-TIM4R

Controllo Elettronico Ventilato
H.A.C.C.P su richiesta
Sbrinamento automatico
Evaporazione automatica
Gas : R404a
Isolam. da 50 mm senza CFC/HCFC
Esterno/Interno in acciaio inox AISI 304/441
Angoli interni arrotondati
Piedini regolabili in ABS
Griglie plastificate GN 1/1 dim. 530x325mm

Electronic control
Ventilated
H.A.C.C.P. function available
Auto defrost & evaporation
Gas: R404a
Polyurethane insulation
50mm CFC & HCFC free
304/441 Grade Stainless Steel
Interior/Exterior
Interior rounded corner
Adjustable plastic feet
Plastic-coated shelves
dim. 530x325 mm

SILVER line Remote



Unità Refrigerante Remota (non inclusa)
Remote Cooling Unit (not included)

Piano con alzatina
disponibile su richiesta



Optional angled splashback prevents spillage behind the counter

Guarnizione amovibili per una facile pulizia



Wide magnetic gasket gives effective seal and is removable for easy cleaning

Griglie Plastificate
posizionabili ogni 60mm



Trayslide adjustable at 60mm intervals

Interno in acciaio AISI 304.
Angoli interni arrotondati



304 Grade Stainless Steel interior. Rounded corner internal for easy cleaning



SILVER line

Slim line (GN 1/1)



Unità refrigerante incorporata
Cooling unit included

Cassettiere
Drawer sets



TSM110

COOLING UNIT
ON BOARD



TSM153



TSM203

Undercounter Cabinets

- Porta reversibile
- Reversible door
- Porte réversible
- Türanschlag wechselbar
- Puerta reversible
- Yön değiştirilebilir kapılar
- Перевешиваемая дверь



SLIM100NTV
SLIM100LTV



SLIM150NTV
SLIM150LTV



Tavoli refrigerati (Prof. 600mm e 700mm) da 1 a 4 porte,
cassetti da 1/1, 1/2.

Refrigerated work tables (depth. 600mm and 700mm)
from 1 to 4 doors, drawers of 1/1, 1/2 .

SILVER line Chef Bases



TIM260NTV - TIB260LTV
TSM270NTV - TSB270LTV

Controllo Elettronico
Ventilato
H.A.C.C.P su richiesta
Sbrinamento automatico
Evaporazione automatica
Gas : R404a
Isolam. da 50 mm senza CFC/HCFC
Esterno/Interno in acciaio inox AISI 304/441
Angoli interni arrotondati
Piedini regolabili in ABS
Griglie plastificate GN 1/1 dim. 530x325mm

Cassettiera (2 cassetti da 1/2)
Drawer set 1/2



Disponibili solo per
modelli TN
Available for normal
temperature



Cassetto da 1/1
Drawer 1/1



TIM360NTV - TIB360LTV
TSM370NTV - TSB370LTV

Electronic control
Ventilated
H.A.C.C.P. function available
Auto defrost & evaporation
Gas: R404a
Polyurethane insulation
50mm CFC & HCFC free
304/441 Grade Stainless Steel
Interior/Exterior
Interior rounded corner
Adjustable plastic feet
Plastic-coated shelves
dim. 530x325 mm



TIM460NTV - TIB460LTV
TSM470NTV - TSB470LTV



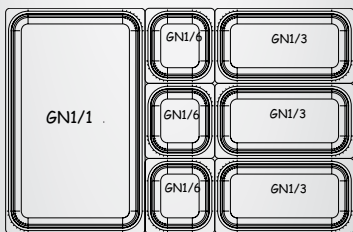
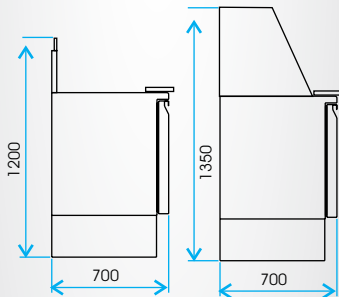
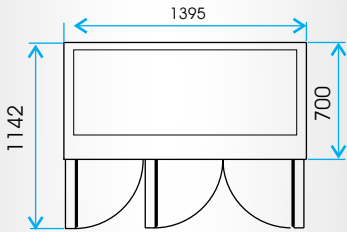
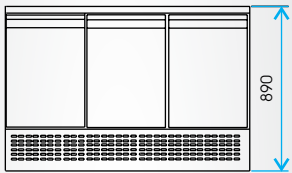
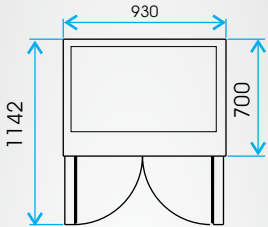
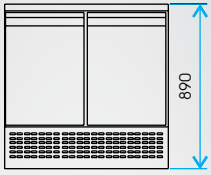
SILVER line Saladettes



GN Pans not included

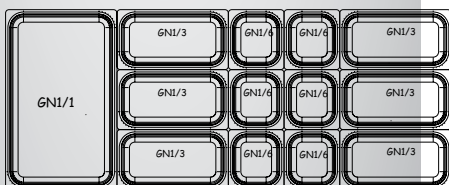
Saladette profondità 70 cm motore inferiore
 Nr. 1 griglia plastificata per vano dim.530x325 mm
 Controllo elettronico
 Statico/Ventilato
 Sbrinamento automatico
 Evaporazione automatica acqua di condensa
 Interno / esterno acciaio inox AISI 304
 Isolamento senza CFC
 Piedini regolabili
 Temperatura ambiente fino a + 43°C
 Gas : R404a

Architect's corner



TSS2

TSS3



TSS2



TSS3

Salad preparation table depth. 70 cm
 No. 1 plastic coated shelf per door dim.530x325 mm
 Bottom mounted compressor
 Electronic control
 Static/Ventilated
 Automatic defrost
 Automatic evaporation
 External/Internal in S/S AISI 304
 Polyurethane insulation CFC free
 adjustable feet
 Ambient temperature +43° C
 Gas: R404a



Statico con agitatore d'aria
 Static with fan
 Statique avec agitateur d'air
 Statisch mit Lüfter



TSS2G

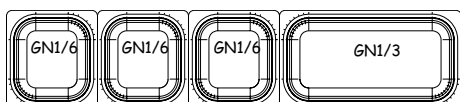


TSS3G

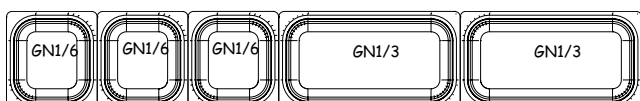
SILVER line Prep Tables



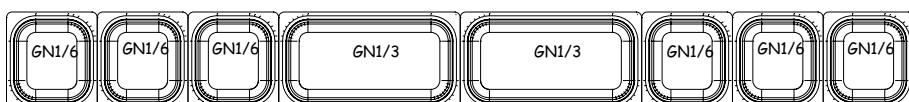
GN Pans not included



TSM2PT



TSM3PT



TSM4PT

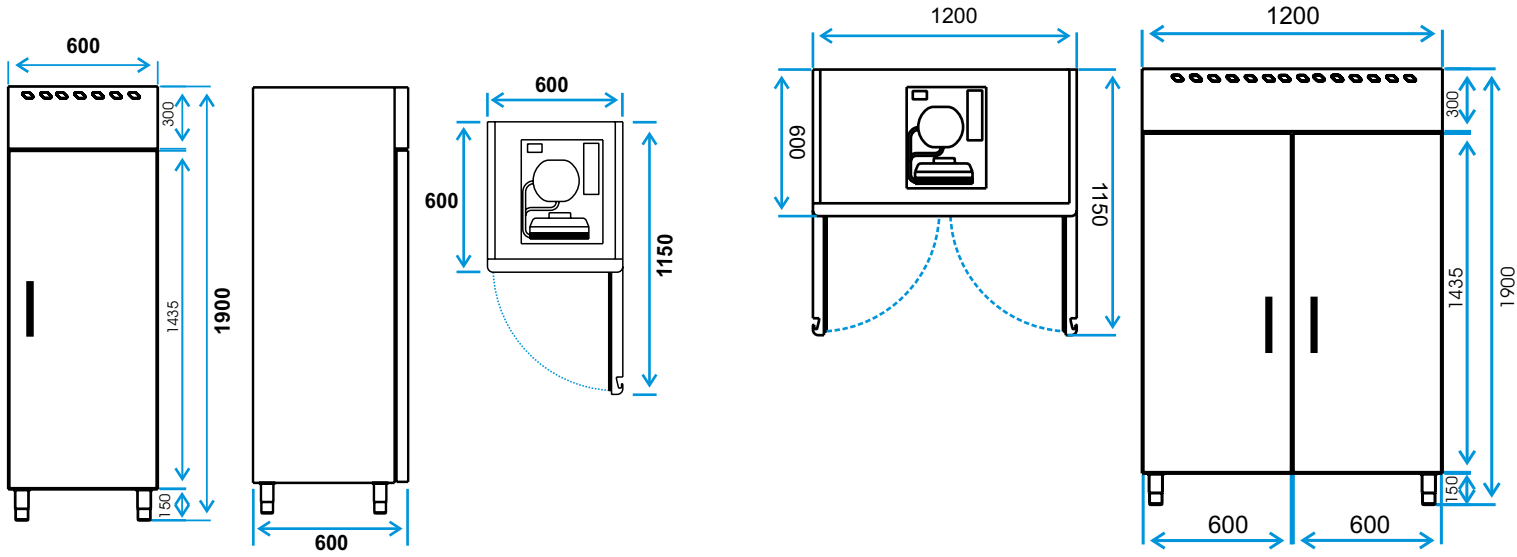
Controllo Elettronico
Ventilato
H.A.C.C.P su richiesta
Sbrinamento automatico
Evaporazione automatica
Gas : R404a
CFC/HCFC FREE
Esterno ed Interno in
acciaio inox AISI 304/441
Angoli interni arrotondati
Piedini regolabili
Griglie plastificate GN 1/1
(530x325mm) per porta
Accessori a richiesta:
Controllore H.A.C.C.P
Ruote piroettanti
Piedini regolabili Inox
Griglie inox dim. 530x325mm
Porte a vetro
Bacinelle Gastronorm

Electronic control
Ventilated
H.A.C.C.P. function available
Auto defrost & evaporation
Gas: R404a
Polyurethane insulation 50mm
CFC & HCFC free
304/441 Grade Stainless Steel
Interior and Exterior
Interior rounded corner
Adjustable feet
Plastic-coated shelves
dim. 530x325 mm for door
Accessories on request
Lockable castors, 2 with brakes
Adjustable Inox feet
Stainless Steel shelves GN 1/1
Glass door
Gastronorm Pans



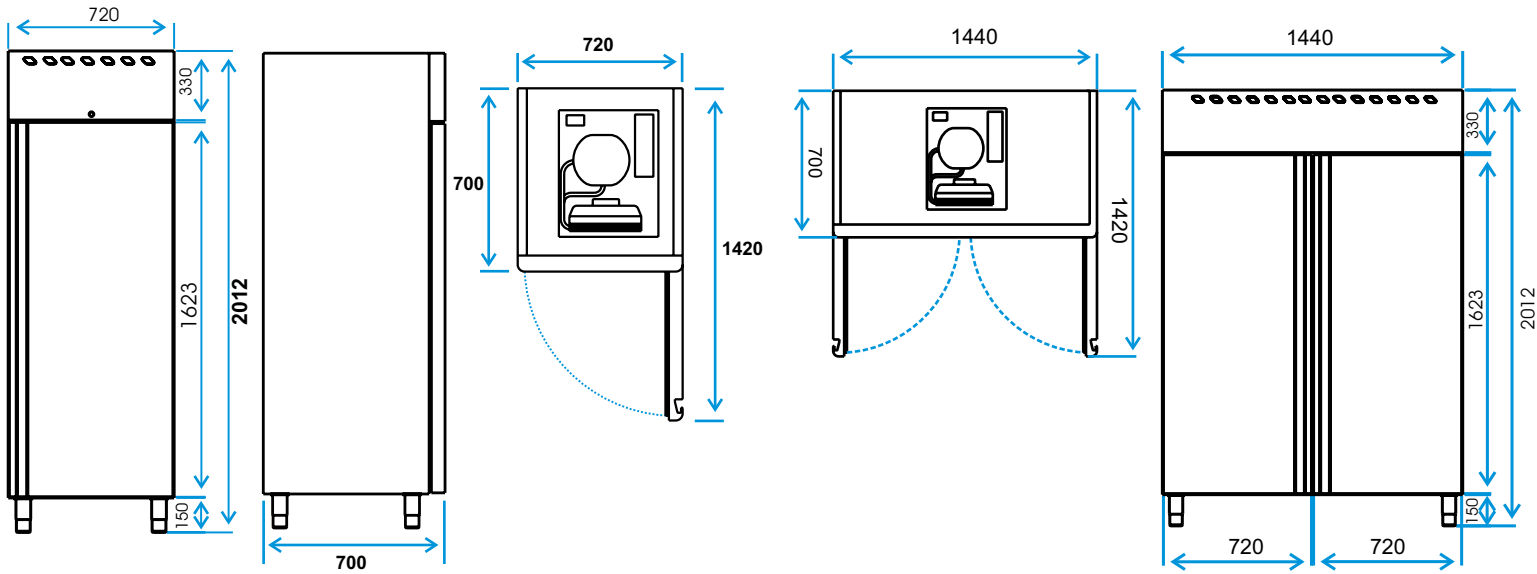
SM40A - SM40X - SB40X - SM40XG - SF40X

SM80X - SB80X - /G



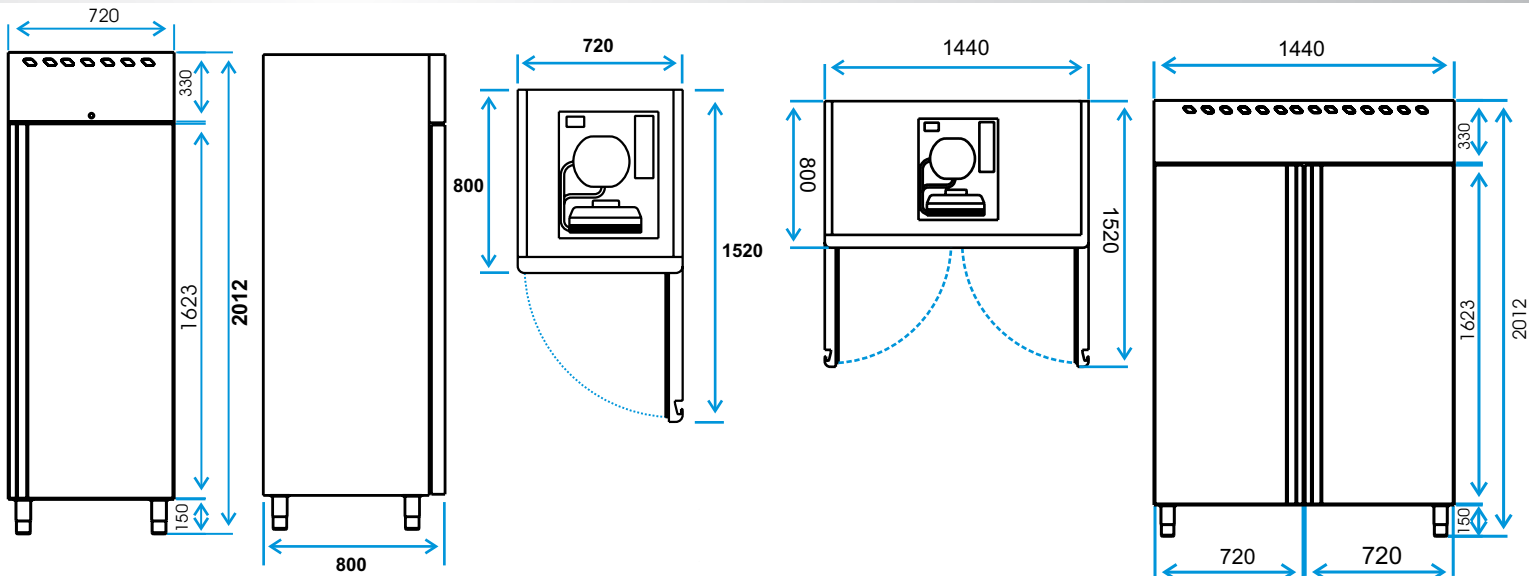
SM6 - SB6

SM12 - SB12



SM7 - SB7

SM14 - SB14



Dati Tecnici - Specification - Données techniques - Technische Daten

Modello Model Modell Modelo Model Модель	Temperature	Capacity	Refrig. Power	Voltage	Abs. Power	Dimensions	Packing Dim.	Shelves	Ambient Temp.	Weight
---	-------------	----------	---------------	---------	------------	------------	--------------	---------	---------------	--------

SLIM line

Esterno in acciaio Inox AISI 441 Interno in alluminio alimentare Stainless Steel AISI 441SB Exterior Aluminum Interior

	°C	Lt	Watt	Volt/Hz	Watt	WxDxH cm	WxDxH cm	N°	°C	kg
SM40A	+2° +10°	400	259	220-240/50	253	60x60x190	64x64x205	3	+32°	75
SB40A	-10° -22°	400	321	220-240/50	308	60x60x190	64x64x205	3	+32°	80
SM40AG	-2° +8°	400	407	220-240/50	330	60x60x190	64x64x205	3	+32	85

Esterno / Interno in acciaio Inox AISI 441 Stainless Steel AISI 441SB Exterior / Interior

	°C	Lt	Watt	Volt/Hz	Watt	WxDxH cm	WxDxH cm	N°	°C	kg
SM40X	-2° +8°	400	308	220-240/50	270	60x60x190	64x64x205	3	+32	75
SB40X	-10° -25°	400	338	220-240/50	363	60x60x190	64x64x205	3	+32	80
SM40X-G	-2° +8°	400	407	220-240/50	330	60x60x190	64x64x205	3	+32	85
SF40X	0° -5°	400	387	220-240/50	325	60x60x190	64x64x205	5 Bac/Trays	+32	80

	°C	Lt	Watt	Volt/Hz	Watt	WxDxH cm	WxDxH cm	N°	°C	kg
SM80X	-2° +8°	800	407	220-240/50	330	120x60x190	124x64x205	6	+43	130
SB80X	-10° -25°	800	465	220-240/50	477	120x60x190	124x64x205	6	+43	140
SM80XG	-2° +8°	800	407	220-240/50	330	120x60x190	124x64x205	6	+43	150
SF80X	0° -5°	800	555	220-240/50	443	120x60x190	124x64x205	10 Bac/Trays	+43	140

SILVER line - GN 2/1 Bottom mounted units

	°C	Lt	Watt	Volt/Hz	Watt	WxDxH cm	WxDxH cm	N°	°C	kg
SM550	-2° +8°	550	459	220-240/50	309	70x80x199	74x84x215	3	+43	110
SB550	-10° -25°	550	531	220-240/50	458	70x80x199	74x84x215	3	+43	120

SILVER line - Bottom mounted units

	°C	Lt	Watt	Volt/Hz	Watt	WxDxH cm	WxDxH cm	N°	°C	kg
SCM6	-2° +8°	600	563	220-240/50	419	70x86x199	72x90x215	5	+43	110

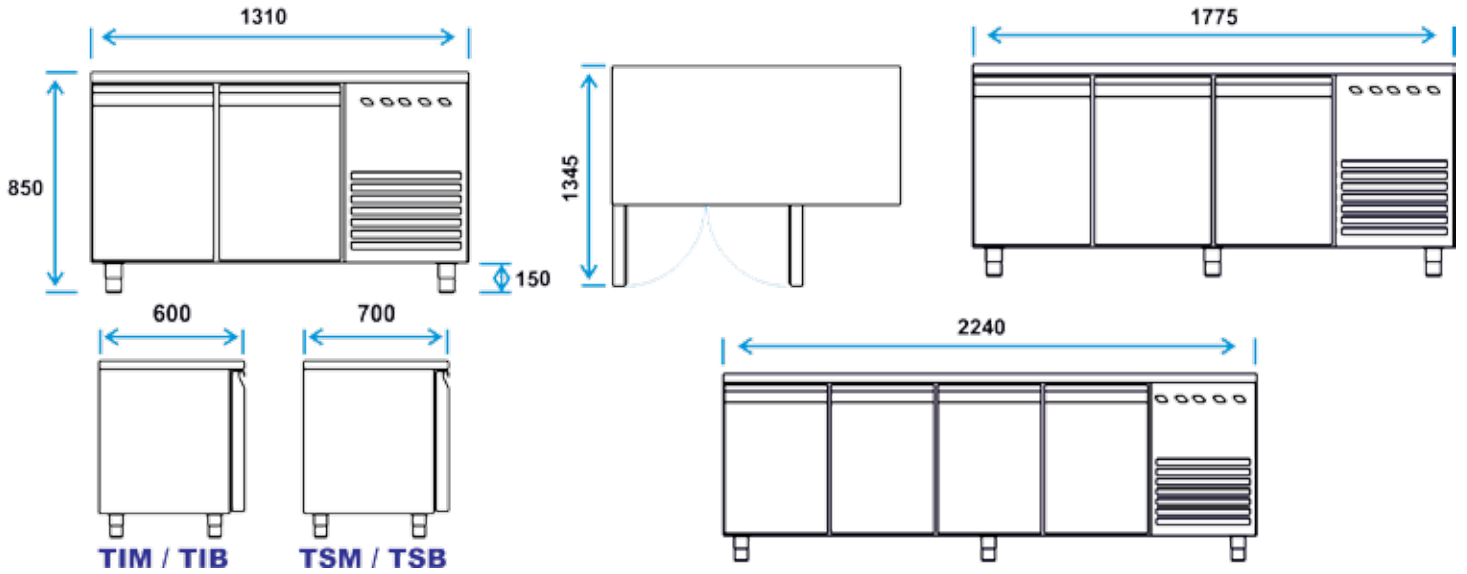
SILVER line - 70

	°C	Lt	Watt	Volt/Hz	Watt	WxDxH cm	WxDxH cm	N°	°C	kg
SM6	-2° +8°	600	375	220-240/50	335	72x70x212	79x86x228	3	+43	105
SB6	-10° -25°	600	474	220-240/50	510	72x70x212	79x86x228	3	+43	115
SM12	-2° +8°	1200	415	220-240/50	440	144x70x212	148x74x228	6	+43	165
SB12	-10° -25°	1200	780	220-240/50	755	144x70x212	148x74x228	6	+43	180

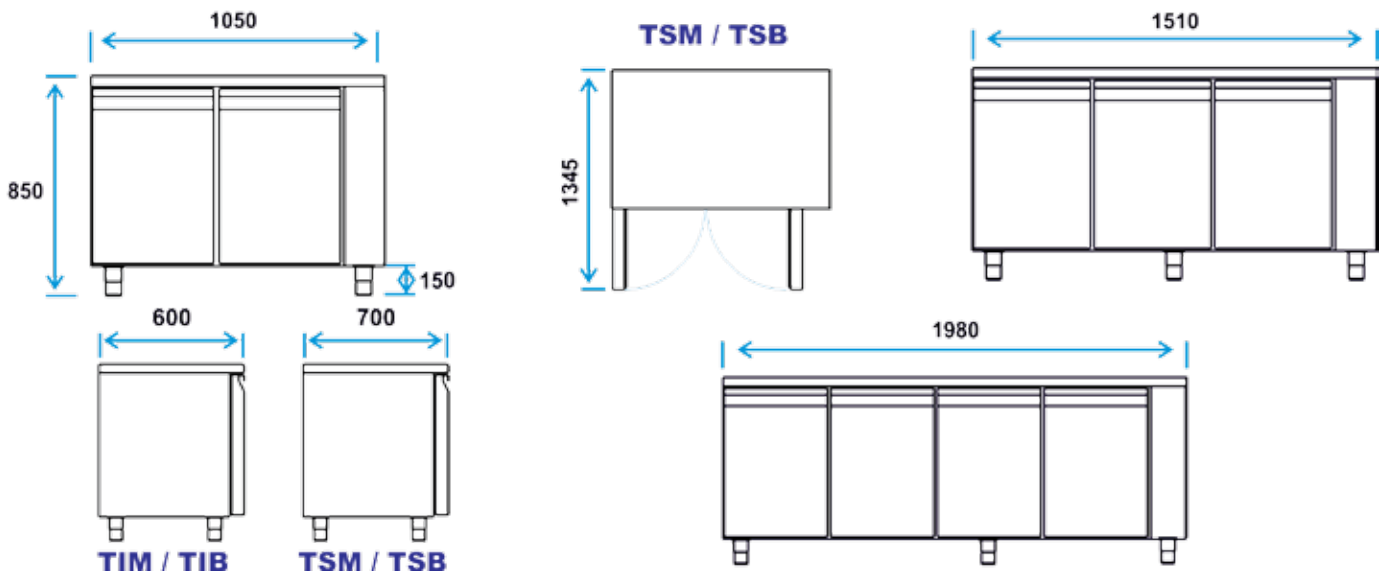
SILVER line - GN 2/1

	°C	Lt	Watt	Volt/Hz	Watt	WxDxH cm	WxDxH cm	N°	°C	kg
SM7	-2° +8°	700	375	220-240/50	335	72x80x212	79x86x228	3	+43	120
SB7	-10° -25°	700	474	220-240/50	510	72x80x212	79x86x228	3	+43	130
SM14	-2° +8°	1400	415	220-240/50	440	144x80x212	148x74x228	6	+43	190
SB14	-10° -25°	1400	780	220-240/50	755	144x80x212	148x74x228	6	+43	200

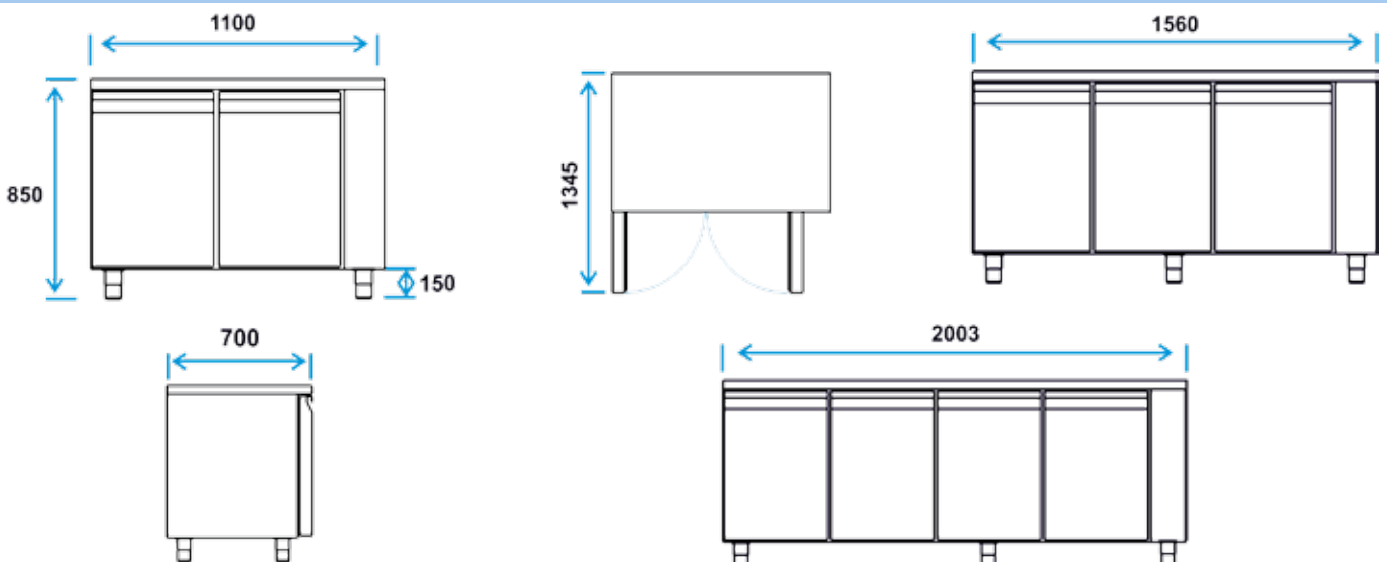
TSM - TSB / TIM - TIB



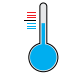




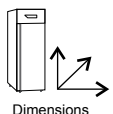

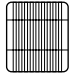


TSMR - TSBR / TIMR - TIBR



TSM110 - TSM156 - TSM203



DATI TECNICI - SPECIFICATION - DONNÉES TECHNIQUES - TECHNISCHE DATEN

Modello Model Modell Modelo Model Модель	 Temperature	 Capacity	 Refrig. Power	 Voltage	 Abs. Power	 Dimensions	 Packing Dim.	 Shelves	 Ambient Temp.	 Weight
---	---	--	---	---	--	---	--	---	---	--

SILVER line - 60

	°C	Lt	Watt	Volt/Hz	Watt	WxDxH cm	WxDxH cm	N°	°C	kg
TIM2	-2° +8°	226	308	220-240/50	270	131x60x85	135x64x100	2	+43	100
TIM3	-2° +8°	353	407	220-240/50	330	177,5x60x85	182x64x100	3	+43	140
TIM4	-2° +8°	480	407	220-240/50	330	224x60x85	228x64x100	4	+43	170
TIB2	-10° -25°	226	338	220-240/50	363	131x60x85	135x64x100	2	+43	105
TIB3	-10° -25°	353	465	220-240/50	477	177,5x60x85	182x64x100	3	+43	145
TIB4	-10° -25°	480	465	220-240/50	477	224x60x85	228x64x100	4	+43	175

	°C	Lt	Watt	Volt/Hz	Watt	WxDxH cm	WxDxH cm	N°	°C	kg
TIM2R	-2° +8°	226		220-240/50		105x60x85	110x64x100	2		90
TIM3R	-2° +8°	353		220-240/50		151x60x85	156x64x100	3		135
TIM4R	-2° +8°	480		220-240/50		198x60x85	203x64x100	4		160
TIB2R	-10° -25°	226		220-240/50		105x60x85	110x64x100	2		90
TIB3R	-10° -25°	353		220-240/50		151x60x85	156x64x100	3		135
TIB4R	-10° -25°	480		220-240/50		198x60x85	203x64x100	4		160

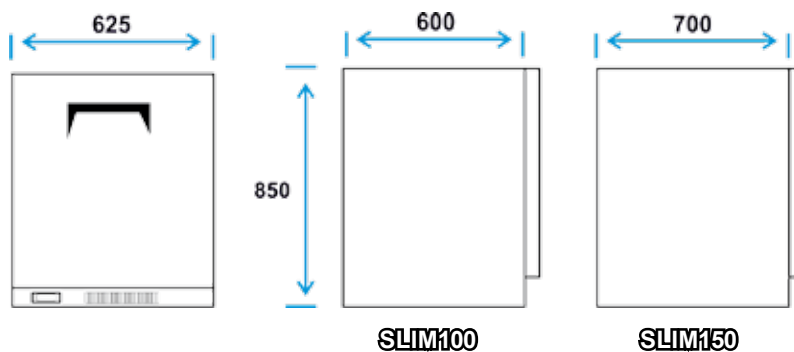
SILVER line - 70

	°C	Lt	Watt	Volt/Hz	Watt	WxDxH cm	WxDxH cm	N°	°C	kg
TSM110	-2° +8°	275	308	220-240/50	270	110x70x85	114x74x100	2	+43	100
TSM156	-2° +8°	428	407	220-240/50	330	156x70x85	160x74x100	3	+43	145
TSM203	-2° +8°	581	407	220-240/50	330	203x70x85	207x74x100	4	+43	170

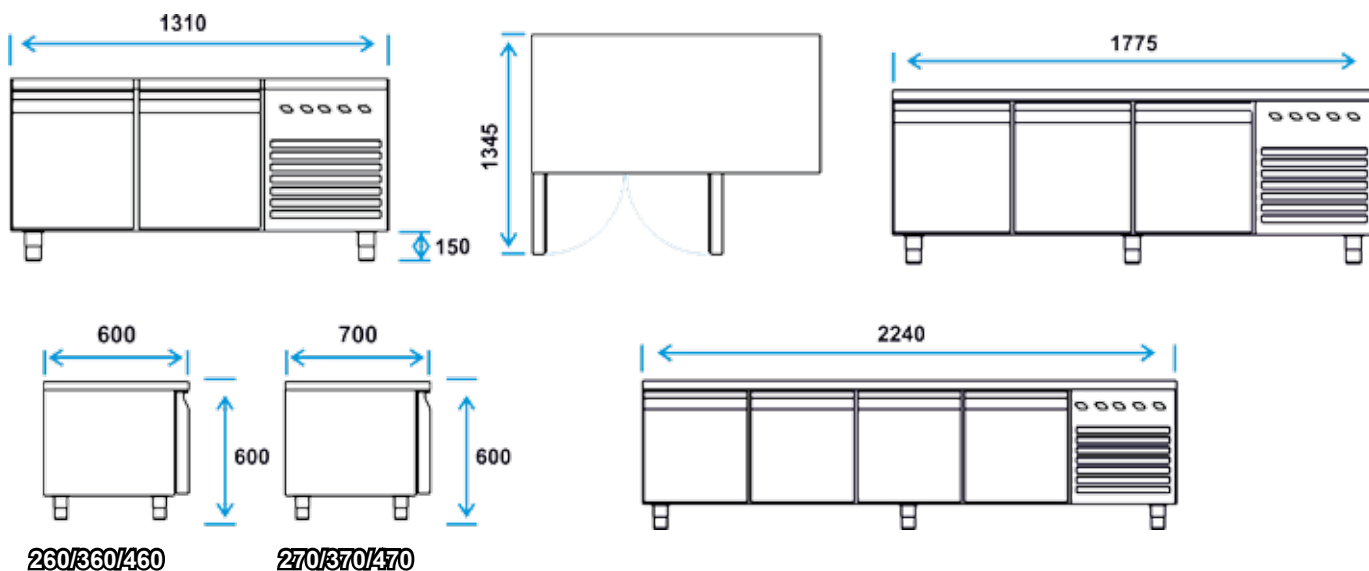
	°C	Lt	Watt	Volt/Hz	Watt	WxDxH cm	WxDxH cm	N°	°C	kg
TSM2	-2° +8°	275	308	220-240/50	270	131x70x85	135x74x100	2	+43	110
TSM3	-2° +8°	428	407	220-240/50	330	177,5x70x85	182x74x100	3	+43	155
TSM4	-2° +8°	581	407	220-240/50	330	224x70x85	228x74x100	4	+43	185
TSB2	-10° -25°	275	338	220-240/50	363	131x70x85	135x74x100	2	+43	115
TSB3	-10° -25°	428	465	220-240/50	477	177,5x70x85	182x74x100	3	+43	160
TSB4	-10° -25°	581	465	220-240/50	477	224x70x85	228x74x100	4	+43	190

	°C	Lt	Watt	Volt/Hz	Watt	WxDxH cm	WxDxH cm	N°	°C	kg
TSM2R	-2° +8°	275		220-240/50		105x70x85	110x74x100	2		90
TSM3R	-2° +8°	428		220-240/50		151x70x85	156x74x100	3		135
TSM4R	-2° +8°	581		220-240/50		198x70x85	203x74x100	4		160
TSB2R	-10° -25°	275		220-240/50		105x70x85	110x74x100	2		90
TSB3R	-10° -25°	428		220-240/50		151x70x85	156x74x100	3		135
TSB4R	-10° -25°	581		220-240/50		198x70x85	203x74x100	4		160

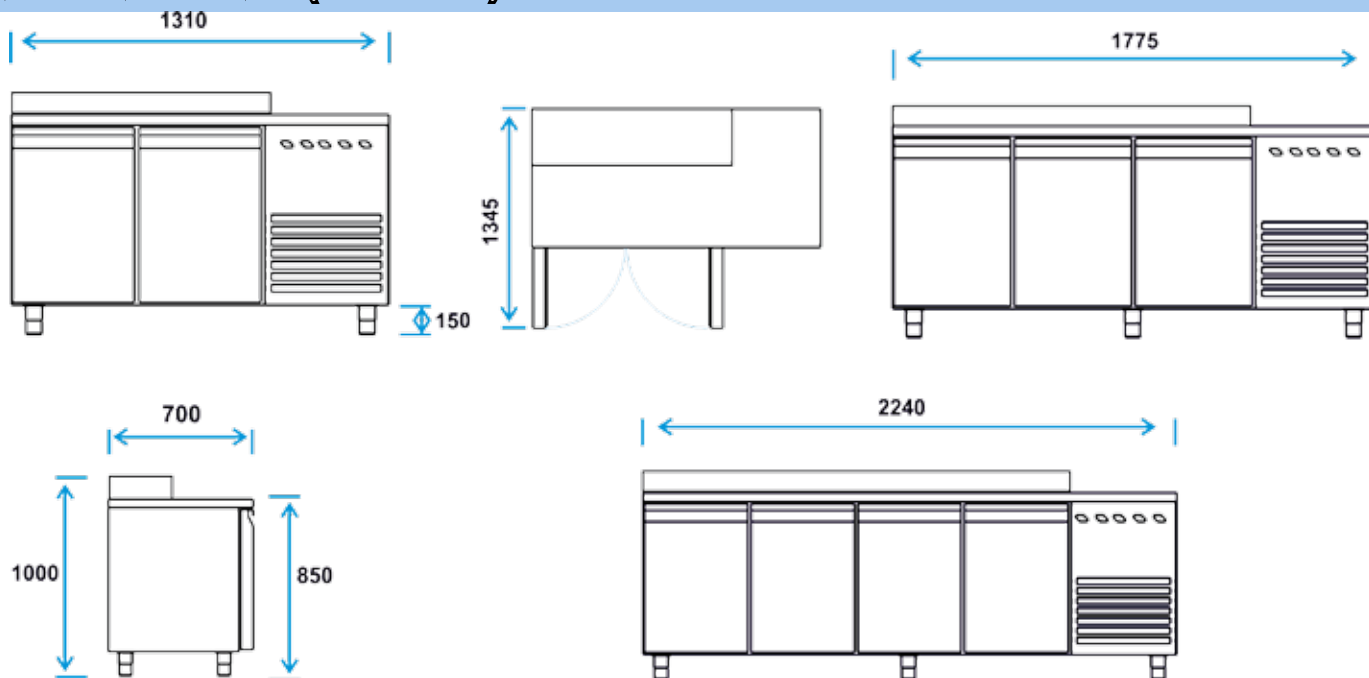
SLIM100NTV - SLIM100LTV - SLIM150NTV - SLIM150LTV (UNDERCOUNTERS)



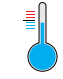




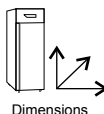

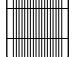


TIM260-360-460NTV / LTV - TSM270-370-470NTV/LTV (CHEF BASES)



TSM2PT - TSM3PT - TSM4PT (PREP TABLES)



DATI TECNICI - SPECIFICATION - DONNÉES TECHNIQUES - TECHNISCHE DATEN

Modello Model Modell Modelo Model Модель	 Temperature	 Capacity	 Refrig. Power	 Voltage	 Abs. Power	 Dimensions	 Packing Dim.	 Shelves	 Ambient Temp.	 Weight
---	---	--	---	---	--	---	--	---	---	--

Undercounter Cabinets

	°C	Lt	Watt	Volt/Hz	Watt	WxDxH cm	WxDxH cm	N°	°C	kg
SLIM100NTV	-2° +8°	100	340	220-240/50	217	62,5X60X85	72,5X70X100	1	+43	50
SLIM100LTV	-10° -25°	100	271	220-240/50	279	62,5X60X85	72,5X70X100	1	+43	75
SLIM150NTV	-2° +8°	150	340	220-240/50	217	62,5X70X85	72,5X80X100	1	+43	55
SLIM150LTV	-10° -25°	150	300	220-240/50	279	62,5X70X85	72,5X80X100	1	+43	80

Chef Bases

	°C	Lt	Watt	Volt/Hz	Watt	WxDxH cm	WxDxH cm	N°	°C	kg
TIM260NTV	-2° +8°	115	345	220-240/50	260	131x60x60	135x74x70	2	+43	65
TIM360NTV	-2° +8°	180	450	220-240/50	320	178x60x60	182x74x70	3	+43	85
TIM460NTV	-2° +8°	260	630	220-240/50	420	224x60x60	228x74x70	4	+43	92
TIB260LTV	-10° -25°	115	383	220-240/50	398	131x60x60	135x74x70	2	+43	75
TIB360LTV	-10° -25°	180	452	220-240/50	415	178x60x60	182x74x70	3	+43	85
TIB460LTV	-10° -25°	260	650	220-240/50	530	224x60x60	228x74x70	4	+43	110

	°C	Lt	Watt	Volt/Hz	Watt	WxDxH cm	WxDxH cm	N°	°C	kg
TSM270NTV	-2° +8°	135	345	220-240/50	260	131x70x60	135x84x70	2	+43	68
TSM370NTV	-2° +8°	210	450	220-240/50	320	178x70x60	182x84x70	3	+43	88
TSM470NTV	-2° +8°	310	630	220-240/50	420	224x70x60	228x84x70	4	+43	102
TSB270LTV	-10° -25°	135	383	220-240/50	398	131x70x60	135x84x70	2	+43	77
TSB370LTV	-10° -25°	210	452	220-240/50	415	178x70x60	182x84x70	3	+43	97
TSB470LTV	-10° -25°	310	650	220-240/50	530	224x70x60	228x84x70	4	+43	102

Prep Tables

	°C	Lt	Watt	Volt/Hz	Watt	WxDxH cm	WxDxH cm	Not included	°C	kg
TSM2PT	0° +8°	275	308	220-240/50	331	131x70x100	143x81x123	5	+43	130
TSM3PT	0° +8°	428	407	220-240/50	348	177,5x70x100	190x81x123	7	+43	170
TSM4PT	0° +8°	581	564	220-240/50	448	224x70x100	143x81x123	10	+43	200

Saladettes

	°C	Lt	Watt	Volt/Hz	Watt	WxDxH cm	WxDxH cm	N°	°C	kg
TSS1S	0° +10°	115	387	220-240/50	322	46,5x70x91	60x86x101	1	32	50
TSS2S	0° +10°	260	387	220-240/50	325	93x70x91	106x86x101	2	32	90
TSS2G	0° +10°	260	387	220-240/50	325	93x70x91	106x86x101	2	32	90
TSS3S	0° +10°	405	555	220-240/50	440	139,5x70x91	153x86x101	3	32	130
TSS3G	0° +10°	405	555	220-240/50	440	139,5x70x135	153x86x133	3	32	140
TSS2PT	0° +10°	260	387	220-240/50	325	93x70x108	106x86x127	2	32	95
TSS3PT	0° +10°	405	555	220-240/50	440	139,5x70x108	153x86x127	3	32	140



DESMON
Food Service Equipment

www.desmon.it

MANUFACTURING PLANTS:

DESMON S.p.A.
Head Office:
Zona Ind. F3 Sup.
83051 Nusco (AV)
ITALIA
Tel.: +39 0827 607318
Fax: +39 0827 607009
E-mail: info@desmon.it
www.desmon.it



Il costruttore si riserva il diritto di apportare modifiche senza preavviso - We reserve the right to change specifications without notice - Nous réservons le droit de modifier nos produits sans préavis - Technische Änderungen vorbehalten - El constructor se reserva la facultad de aportar cambios sin aviso previo - Doğal olarak, ürünlerde yapılacak olası teknolojik yenilikler ve değişiklikleri haber vermeksizin yapma hakkımızı saklı tutmaktayız - Мы оставляем за собой право вносить изменения в спецификацию без дополнительного уведомления